

# Dynaric/SMB COR

Most Versatile Strapping Machine For Folding Cartons

Automatic Bundle  
Squaring and  
Strapping Machine  
for 3, 4 and  
Multipoint Glued  
Cases and  
Crash-Locked  
Carton Bundles

Zero Defects!

Using Soft Touch  
Technology to Strap  
Bundles of Folded  
Cartons Without  
Damage!

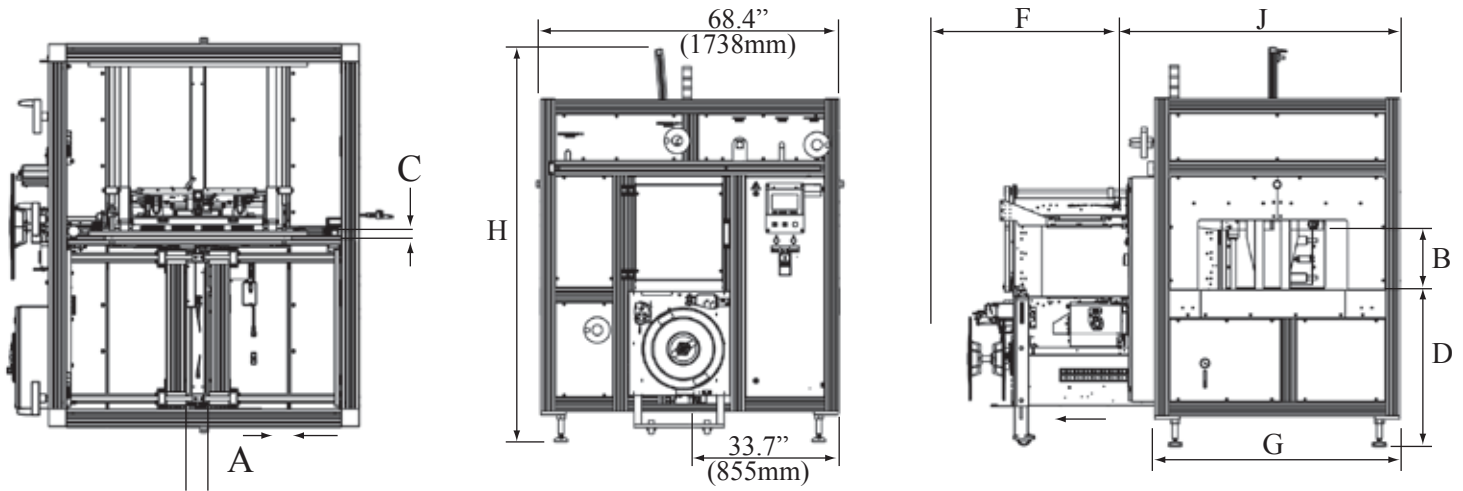


- Universal strapping of 3 and 4-point folding boxes
- User friendly and intuitive
- Format change in less than 2 minutes
- Robust and extremely low maintenance
- Easy To Service - pull-out strapping module
- High capacity

Subsidiary of Polychem LLC

Phone: (800) 526-0827 | E-mail: [order@dynaric.com](mailto:order@dynaric.com) | Web: [www.dynaric.com](http://www.dynaric.com)





## At A Glance

- GreenTech energy concept, low power consumption
- DAT 'Direct-Access-Technology'
- ASLF 'Anti-Strap-Loss-Function' Constant strap control
- SMART TOUCH - Icon control concept
- 2000 Bundle recipe
- Automatic Strap feed
- Strap end detection system with automatic discharge of remaining strap
- The exclusive eject function avoids strap jam
- Conveyor speed steplessly adjustable
- Bundle stop plate with pre-positioning, no contact with bundle when clearing the bundle, with quick adjustment
- Bundle press, pre-positioning and electric driven
- Production data analysis via Ethernet/USB
- Bundle flow control
- Wear-free, energy saving direct-drive-motors
- Low maintenance and low wear strap arch

Arch Size		850	1250	1650
Sealing Head Centered		X	X	X
Machine Width	G	1410	1810	2210
Total Height	H	2315-2505	2315-2505	2315-2505
Table Height	D	820-1010	820-1010	820-1010
Weight in kg		Ca. 1000	Ca. 1200	Ca. 1400
Bundle Width	A	130-850	130-1250	140-1650
Max. Bundle Height	B	340	340	340
Additional Space Needed	F	1100	1300	1500
Distance Bundle Stops	C	25-580	25-580	25-580
Total Width Plus Coil	J	1600	2000	2400

**CAPACITY:** Single strap: Up to 29 bundles/minute  
Parallel strap: Up to 17 bundles/minute

**BUNDLES:** Width: min. 130mm  
Length: min. 150mm  
Height: min. 50mm  
Weight: max. 20kg

**TRANSPORT SPEED:** 0.40 – 1.40 m/s

**STRAP TENSION:** Adjustable with 10 steps  
Tension at bundle: max. 295 lbs.

**STRAPPING MATERIAL:** Dynaric Polypropylene  
Width: 5mm – 12mm  
Thickness: 0.35mm – 0.65mm

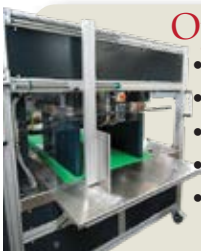
**STRAP COIL:** Core ID: 200mm  
Core OD: 420mm  
Width: 190mm (up to 200mm)

**POWER SUPPLY:** Wide Range Input 380-520V, 3AC; 47 63 Hz Maximum fusing 16A (B-character)  
Protection Type: IP 54

**POWER CONSUMPTION:** Total consumption approx. : 0.98 kW

**PNEUMATICS:** Operating pressure in bar: 6  
Air consumption per cycle in I (free air): 4.2

**OPERATING CONDITIONS:** Temperature range: +5C [41F] - +45C [113F]



### Optional

- Bundle compensator backside
- Machine movable
- Bundle stop plate for second strap
- Lateral belts with quick adjustment
- One or two driven top belts with quick adjustment

