

# Dynaric D3300A

High Speed Fully Automatic Bottom Seal Strapping Machine

Reliable High Speed  
Strapping Machine  
Designed to Increase  
Overall Production  
in Virtually any  
Packaging  
Environment



*Cost Saving, Labor Reduction*

**Dynaric, Inc.**



®

5740 Bayside Road, Virginia Beach, VA 23455

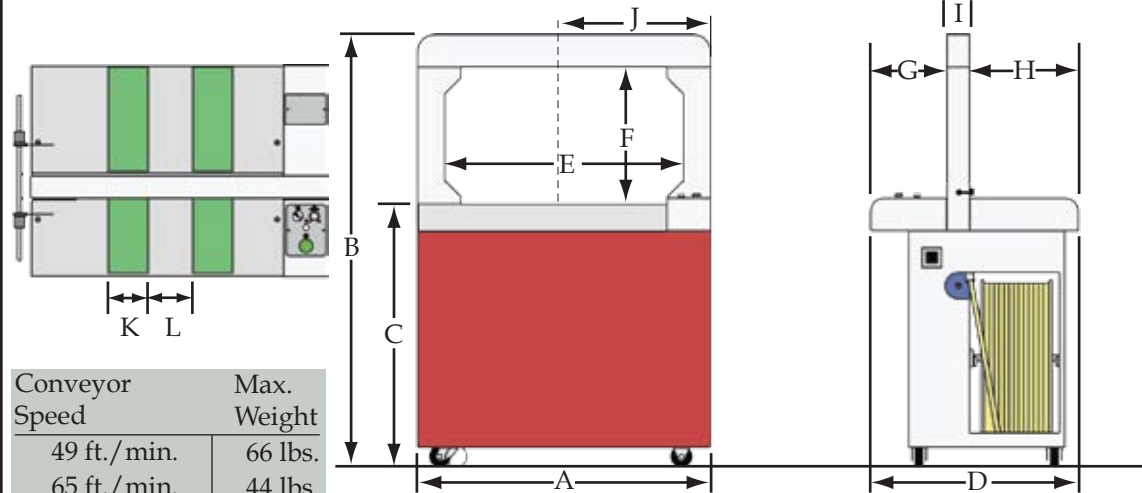
Phone: (800) 526-0827 Fax: (757) 363-8016

E-mail: [gd@dynaric.com](mailto:gd@dynaric.com)

Web address: [www.dynaric.com](http://www.dynaric.com)

# Dynaric D3300A

- Newly designed arch offers quieter and more reliable operation.
- Compact, lightweight assembly for easy mobility throughout your facility
- Compact, low maintenance sealer head
- Internal strap dispenser minimizes required floor space
- Stainless steel tensioning roller
- Cycle time capable of 50 straps per minute
- Loop kick-out feature eliminates strap jams
- Faster warm-up time reduces production delays
- Easily accessible strap feed unit for trouble free automatic strap feeding
- Open coil cabinet permits visibility of internal strap coil
- Automatic strap discharge mechanism removes any leftover strap when strap coil is finished and in case of a misfeed
- External adjustment of strap tension by the simple turn of a dial



A	35.3" (898mm)
B	52.1" (1323mm)
C	31.4" (800mm)
D	24.9" (634mm)
E	28.7" (730mm)
F	16.4" (418mm)
G	9.17" (233mm)
H	13.1" (333mm)
I	2.71" (69mm)
J	17.5" (444.5mm)
K	4.7" (120mm)
L	5.4" (136mm)

Many arch sizes are available - in 200mm increments

Weight:	386 lbs (175 kg)
Cycle Time:	1.2 seconds
Cycle Initiation:	Photo Eye or Push Button
Strap Size:	3/8" & 1/2" (9mm & 12mm)
Sealing Method:	Heat Seal
Mobility:	2 swivel and 2 fixed casters
Dispenser:	Internally located - 8" or 9" I.D./8" Face/18" O.D.

Package Size:	Min. 1.5" H x 3.5" W Max. Governed By Arch
Tension:	Externally located, adjustable 6.6 - 154 lbs.
Seal Head Location:	Bottom: 17.5" (444.5mm) from right side of the machine
Power:	230 VAC (460 VAC Optional)



5740 Bayside Road, Virginia Beach, VA 23455  
 Phone: (800) 526-0827 Fax: (757) 363-8016  
 E-mail: [gd@dynaric.com](mailto:gd@dynaric.com)  
 Web address: [www.dynaric.com](http://www.dynaric.com)