

Dynaric, Inc.

DF-11SCA

Fully Automatic Stainless Steel Strapping Machine

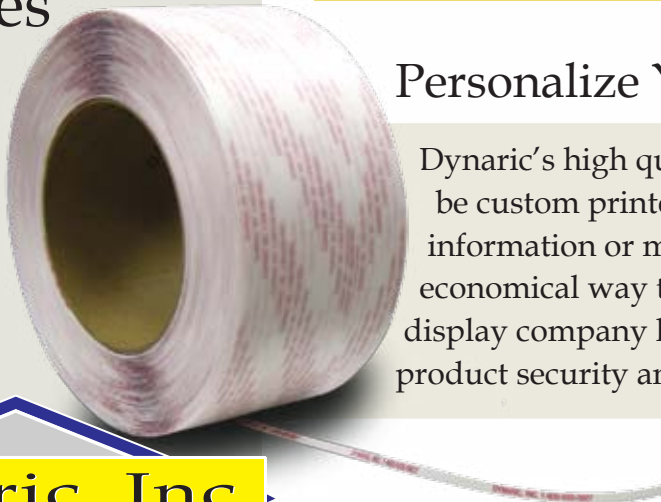
Designed for the
Harsh Packaging
Environments of
the **Meat, Poultry
and Seafood**
Industries



Cost Reduction, Labor Saving

Personalize Your Plastic Strapping

Dynaric's high quality printed plastic strapping can be custom printed with your company logo, name, information or message. Printed strapping is an economical way to identify special products, display company logo and information or even for product security and more.



Dynaric, Inc.

Certified Minority Owned Business

Phone: (800) 526-0827 | Fax: (757) 363-8016 | E-mail: order@dynaric.com | Web address: www.dynaric.com

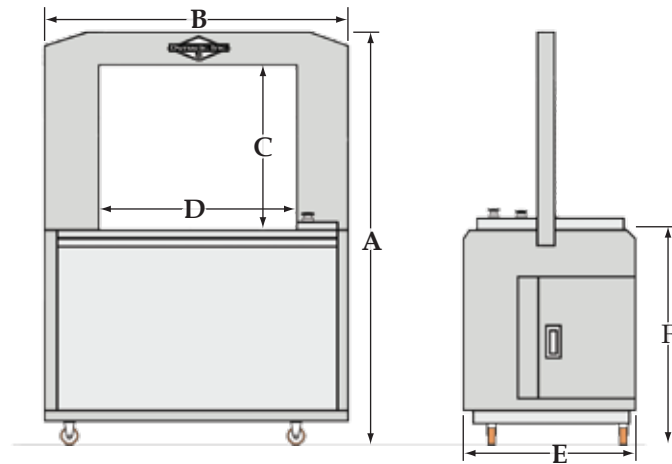
DF-11SCA

The DF-11SCA utilizes a bottom seal design while incorporating a stainless steel cabinet to provide protection against the harsh environments of the seafood, meat and poultry packing industries. The DF-11SCA can be integrated into an existing conveyor system, minimizing the need for hand strapping and eliminating unnecessary package handling.

The DF-11SCA is a proven performer known for its cost reduction, labor saving capabilities. The DF-11SCA offers a cycle time of 1.6 seconds (depending on arch/package size), strapping up to 37 packages per minute while maintaining a dramatic reduction in machine downtime and required maintenance.

At A Glance

- Anti-jam feature eliminates strap jams in unit
- Internal dispenser; minimizes required floor space, keeps strap dry
- Available in 220 volts, 3-phase or 440 volt, 3-phase (optional)
- Electronic control pads allows the operator to easily adjust timer functions, heater temperature setting and seal time
- Digital display reflects the unit's operational status, including an error read-out for easy troubleshooting
- Easy strap feeding and adjustable external tension control and heat seal allows operators to strap packages in easy, efficient manner
- Adjustable photo eyes allows you to automatically strap virtually any package size
- Energy saving feature; motor automatically shuts down when machine is not in use
- Heavy-Duty casters allow for the machine to be easily moved throughout your facility
- Available for use with 3/8" or 1/2" strapping



A	60.8" (1544 mm)	D	27.6" (700mm)
B	44.7" (1135 mm)	E	25.6" (650mm)
C	23.6" (600mm)	F	31.3" (795mm)

Overall Width:	25.6" (650 mm)
Overall Length:	44.7" (1135 mm)*
Overall Height:	60.8" (1544 mm)*
Table Height:	31.3" (795mm)
Weight:	506 lbs (230 kg)*
Cycle Time:	1.6 seconds*
Cycle Initiation:	Push Button or Photo Cells
Strap Size:	3/8" & 1/2"
Package Size:	Max. Governed By Arch Min. 1.2" H x 1.6" W
Tension:	Externally located, adjustable 10 - 250 lbs
Seal Head Location:	Bottom
Sealing Method:	Heat Seal
Mobility:	2 swivel and 2 fixed casters
Dispenser:	Internally located - 9" I.D./8" Face/18" O.D
Power:	220V, 3 phase, 60Hz or 440V, 3 phase, 60Hz **

* Depending on arch size

** Optional, must be specified at the time of order

