

Dynaric

DF117SA

Stainless Steel
Fully Automatic
Side Seal
Strapping
Machine

Designed for
the Harsh
Packaging
Environments
of the **Meat,**
Poultry and
Seafood
Industries



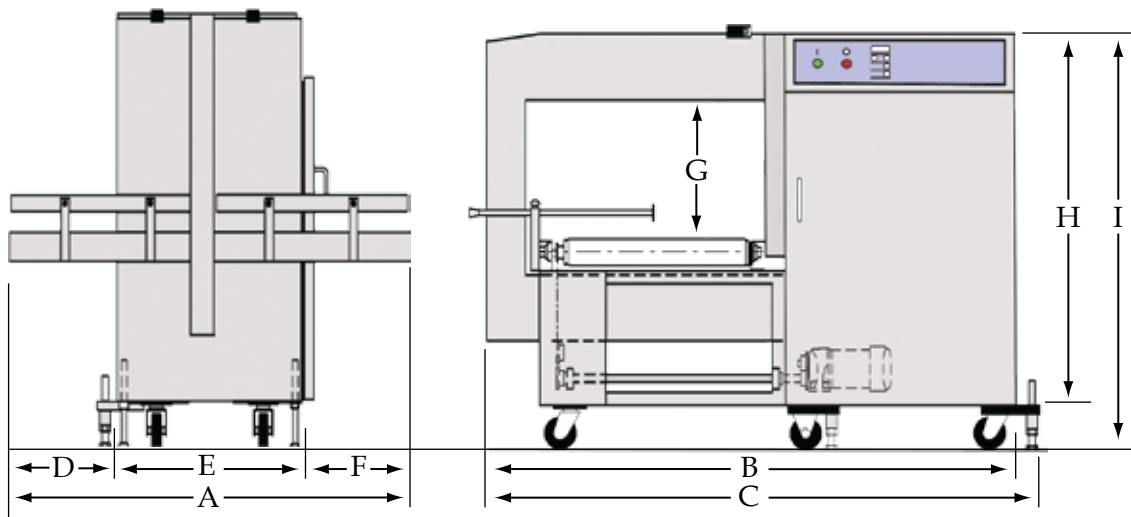
Machine shown with optional conveyor belt

Cost Reduction, Labor Saving



Certified Minority Owned Business

Phone: (800)526-0827 | Fax: (757)363-8016 | E-mail: order@dynaric.com | Web: www.dynaric.com



A	46.65" (1185mm)
B	63.4" (1611mm)
C	66.3" (1686mm)
D	12.4" (315mm)
E	21.65" (550mm)
F	12.59" (320mm)
G	15.7"-16.5" (400mm-420mm)
H	44.4" (1300mm)
I	49.5" (1265mm)

At A Glance

- Anti-jam feature eliminates strap jams in unit
- Internal dispenser; minimizes required floor space, keeps strap dry
- Available in 220 volts, 3-phase or optional 440 volt, 3-phase
- Electronic control pads allows the operator to easily adjust timer functions, heater temperature setting and seal time
- Digital display reflects the operational status, including an error read-out for easy troubleshooting
- Easy strap feeding and adjustable external tension control and heat seal allows operators to strap packages in easy, efficient manner
- Easily adjustable table height for a variety of conveyor configurations
- Energy saving feature; motor automatically shuts down when machine is not in use
- Heavy-Duty casters allow for the machine to be easily moved throughout your facility
- Available for use with 3/8" or 1/2" strapping

Overall Width:	46.65" (1185 mm)
Overall Length:	63.4" (1611 mm)
Overall Height:	49.5" (1265 mm)
Conveyor Height:	25.1" - 25.9" (640mm-660mm)
Weight:	771 lbs (350 kg)
Cycle Time:	1.6 seconds
Cycle Initiation:	Photo eye or Push Button
Strap Size:	3/8" & 1/2"
Package Size:	Min: 1.2" H x 1.6" W Max: Governed By Arch
Tension:	Internally located adjustable 10 - 250 lbs.
Seal Head Location:	Side: 30.3" (700mm)
Sealing Method:	Heat Seal
Mobility:	4 swivel and 2 fixed casters
Dispenser:	Internally located - 9" I.D./8" Face/18" O.D
Power:	220V, 3 phase, 60Hz 440V, 3 phase, 60Hz

Personalize Your Packages



Personalize your plastic strapping. Dynaric's high quality printed plastic strapping can be custom printed with your company logo, name, information or message. Printed strapping is an economical way to identify special products, display company logo and information or for product security and more.

