

Dynaric, Inc.

AM659AB

Fully Automatic Strapping Machine

Reliable Strapping Machine on a Budget!



Up To 25 Straps Per Minute

Ideal for:



Totes



Cut Paper,
Boxes/Cartons



Linen/
Rags



Newspaper/
Magazines



Wood/
Lumber

Dynaric, Inc.



Certified Minority Owned Business

Phone: (800) 526-0827 | Fax: (757) 363-8016 | E-mail: order@dynaric.com | Web: www.dynaric.com

AM659AB

Follow Us!



The AM659AB, Fully Automatic Strapping Machine, provides the ultimate in reliability by incorporating the latest servo motor technology. Servo motors use less energy to operate and greatly reduce the number of moving parts therefore minimizing machine maintenance and receiving a quicker Return On Investment!

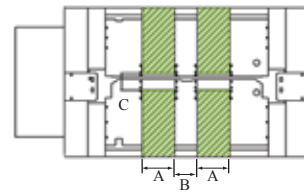
At A Glance

- Fully automatic strapping machine, developed to be used with polypropylene strap
- Up to 25 Bundles\minute
- Reliable AC servo motors and drives
- Full color touch screen controls with diagnostics
- Four tier LED status light tower
- Automatic strap feed
- Strap width 5 - 12 mm
- The exclusive eject function avoids strap jam
- Torque controlled strap tension, adjustable
- Upstream and downstream interlocks
- Conveyor speed steplessly adjustable
- Intuitive operator interface
- Easy machine mobility
- Table height steplessly adjustable
- Bundle press, **optional**

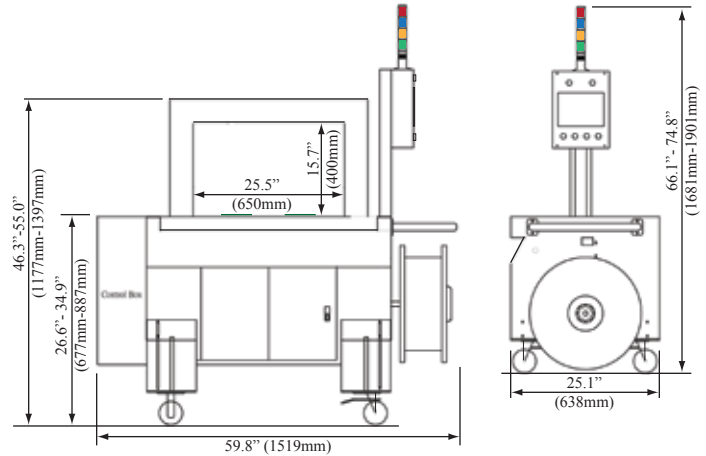


Increase Your Savings

Dynaric XL coils are made using high-grade polypropylene to ensure you receive the highest quality, most reliable and best tenacity strap available on the market today. Using our XL coils will increase your overall throughput and reduce the amount of downtime caused by coil changes by up to 30%.



- A: Conveyor belt 5.4" (138mm)
- B: Gap between the two conveyer belts 3.8" (97mm)
- C: The gap between the entry belts and the exit belts 2.87" (73mm)



Overall Width:	25.1" (638mm)
Overall Length:	59.8" (1519mm)
Overall Height:	66.1" (1681mm)
Weight:	617 lbs.(280 kg)
Cycle Time:	2.4 seconds
Cycle Initiation:	Photo Eye or Push Button
Strap Size:	3/8"-1/2" (9mm -12mm) (optional 5-6mm)
Sealing Method:	Heat Seal
Package Size:	Min. 1.57"H x 4.72"W x4.72"L Max. Governed By Arch
Tension:	Externally located, Touch Pad adjustable 6.6 - 132 lbs.
Seal Head Location:	Bottom: 17.5" (444.5mm) from right side of the machine
Power:	110/230 Volt AC (460 Volt AC)
Mobility:	2 swivel and 2 fixed casters
Dispenser:	Externally located - 8"or 9" I.D/8"or 9"Face/18"O.D.



Corporate Office
5740 Bayside Road
Virginia Beach, VA 23455

Extrusion Division
5925 Thurston Ave
Virginia Beach, VA 23455

Certified Minority Owned Business

Phone: (800) 526-0827 | Fax: (757) 363-8016 | E-mail: order@dynaric.com | Web: www.dynaric.com