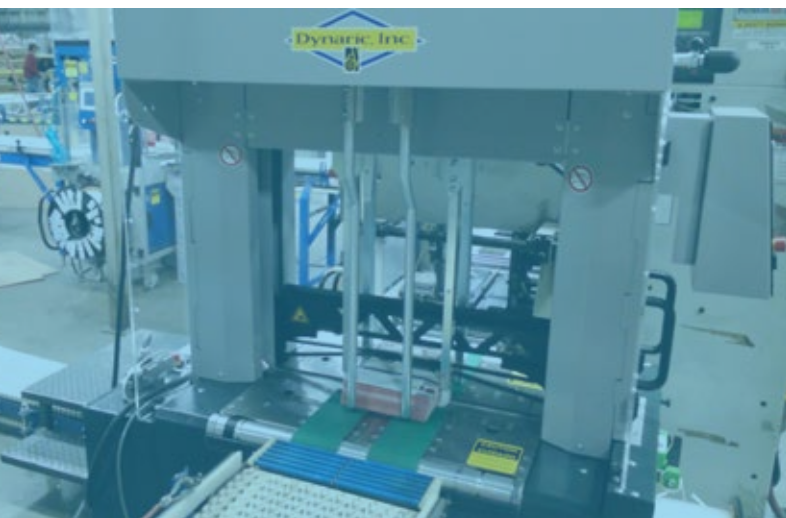
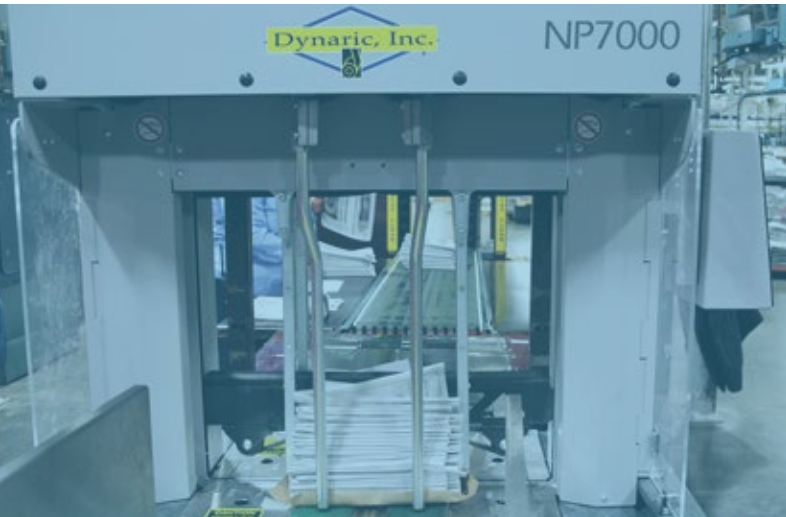


NP7000

The Ultimate High Speed
Newspaper Strapping Machine



for the Newspaper and Graphic Arts
Industry

dynaric.com

5740 Bayside Road Virginia Beach, VA 23455

NP7000

- Strapping up to 48 bundles per minute
- Easy to use and maintain
- Durable, modular design



NEWLY DESIGNED STRAP SEALING HEAD

DIRECT DRIVE SERVO MOTORS

- Offers control and simplicity with minimal wear parts.
- Energy efficient 24V DC servo motors and controls, low power consumption.
- Machine can be set to accept incoming voltage ranging from 120V single phase to 480V 3 phase

D A T - Direct Access Technology

- Easy access to strap path for cleaning and clearing strap; requires no tools

OPERATOR-FRIENDLY DESIGN



SMART TOUCH CONTROL PANEL

- Operator friendly control panel provides ease in setup and operation
- Secure supervisor login allows parameter setup for operator selectable bundle modes
- Access to machine operational and

performance data

SAFETY INTERLOCKS

- Safe and Open conveyor interlocks disable machine operation when conveyors are opened

EASY STRAP LOAD

- Strap loads from external strap dispenser at conveyor level, internal access to machine not required

INCREASE UPTIME

JAM FREE STRAP EJECT FUNCTION

- Maximizes machine reliability and minimizes downtime in adverse packaging conditions

XL COIL CAPACITY

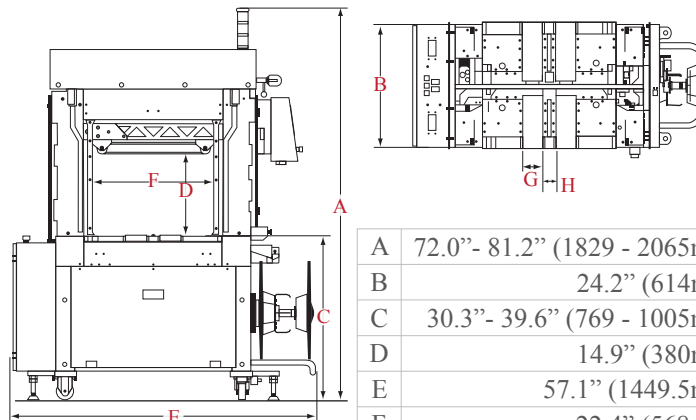
- Accepts Dynaric XL and standard strap coils, XL coils offer cost savings with longer footage

STRAP TRACK SIMPLIFIED

- Fewer wear parts offering reliable strap control

MORE FEATURES

- Conveyor Speed Control
- Bundle Conditioning System
- Auto-Adjust Strap Tension
- Conveyor Height Adjustable
- Operational Light Tower



A	72.0" - 81.2" (1829 - 2065mm)
B	24.2" (614mm)
C	30.3" - 39.6" (769 - 1005mm)
D	14.9" (380mm)
E	57.1" (1449.5mm)
F	22.4" (568mm)
G	3.9" (100mm)
H	2.4" (60mm)

Capacity: Up To 45 bundles/minute

Bundles: Max. Height: 15.7" (400mm)
Max. Weight: 55.1 lbs.(25 Kg.)

Conveyor Speed: Adj. up to 197 ft/min (60 m/min)

Strap Tension: Max. 73.0 lbs. (325 N)

Strapping Material: Dynaric Polypropylene
Width: 1/4"-1/2" (5-12mm)
Thickness: .016"-.022" (0.4 - 0.55mm)

Sealing Method: Heat seal

Strap Coil: Max. Width: 9" (228.6mm)

Power Supply: 120V - 480V

Power Consumption: 0.35 kW

Weight: 836 lbs. (380 Kg)

Certified Minority Owned Business

Corporate Office
5740 Bayside Road
Virginia Beach, VA 23455

Extrusion Division
5925 Thurston Ave
Virginia Beach, VA 23455



Connect with us

