

Dynaric, Inc.

# DF117VTL

## Automatic Vertical Strapping Machine

Every machine  
is specially  
contracted to  
meet individual  
stacker design  
requirements



## Ultraband

The DF117VTL can be setup to use Dynaric's Ultraband strapping. Ultraband is a heavy-duty low elongation polypropylene strap designed to give you the same strength and durability as PET or Steel strapping without the cost.



Dynaric, Inc.



Certified Minority Owned Business

P: (800) 526-0827 | F: (757) 363-8016 | E: [order@dynaric.com](mailto:order@dynaric.com) | W: [www.dynaric.com](http://www.dynaric.com)

# DF117VTL

The DF117VTL is a state-of-the-art banding machine designed for integration into the vertical signature stacker/bundlers for the printing industry. It can be specified as original equipment on new bundlers or it can be retrofit into existing stacker/bundlers to improve the reliability and reduce the downtime associated with older and slower machines.

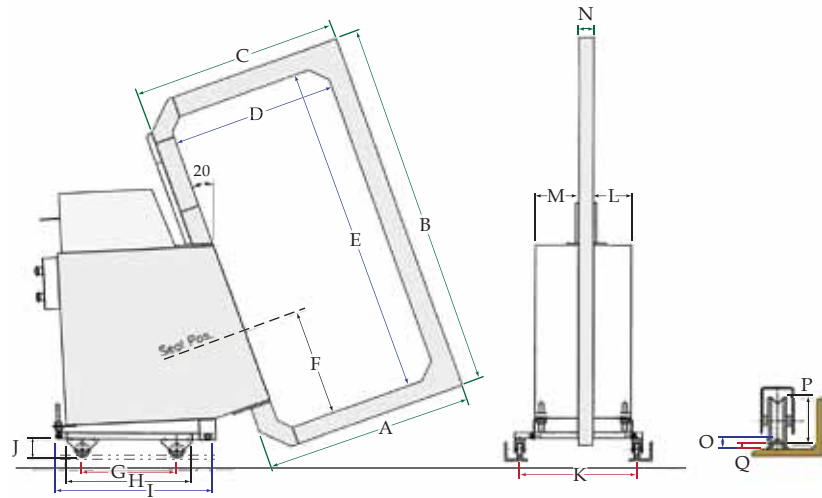
Offering easy strap feeding and adjustable external tension control the DF117VTL allows signature logs to be strapped in a quick, efficient and reliable manner.

The DF117VTL offers a safer and more cost effective alternative to the use of steel and costly PET products with its ability to run Dynaric's Ultraband and controlled elongation strapping products.

The DF117VTL comes fully equipped with the following list of convenience features which were at one time costly optional items.

## *At A Glance*

- Adjustable strap feeding and loading
- Micro-processor controlled
- Short feed indication
- Adjustable heat, seal, temperature, feed time and external tension controls
- Anti-jamming feature
- Audible end of strap warning signal



A	31.1" (790mm)	J	2.9" (74mm)
B	55.9" (1420mm)	K	17.7" (450mm)
C	30.9" (786mm)	L	5.8" (147mm)
D	24.8" (630mm)	M	6.5" (166.5mm)
E	50.0" (1270mm)	N	2.2" (56mm)
G	14.1" (360mm)	O	.57" (14.5mm)
H	18.9" (480mm)	P	2.36" (60mm)
I	23.6" (600mm)	Q	.25" (6.5mm)

<b>Overall Width:</b>	19.0" (480mm)*
<b>Overall Length:</b>	57.5" (1460mm)*
<b>Overall Height:</b>	58.9" (1494mm)*
<b>Sealing Method:</b>	Heat Sealed
<b>Weight:</b>	750 lbs. (340kg.)*
<b>Cycle Time:</b>	2 seconds*
<b>Cycle Initiation:</b>	Push Button
<b>Strap Size:</b>	1/2" Polyester or Controlled Elongation
<b>Power:</b>	220V, 3 Phase, 60Hz 440V, 3 Phase, 60Hz**
<b>Mobility:</b>	Casters
<b>Seal Head Location:</b>	Side - 23.4" from the Floor*
<b>Dispenser:</b>	Remote Dispenser 16" I.D. - 6" Face - 24" O.D.

\* Dependent upon arch size  
 \*\* Optional