

Dynaric, Inc.

DF1131



# Retractable Arch Strapping Machine



- *Automatic Strap Loading*
- *External Dispenser Allows for Quick and Easy Coil Changes*
- *Time Saving Design*

*Certified Minority Owned Business*

Phone: (800) 526-0827 Fax: (757) 363-8016 E-mail: [order@dynaric.com](mailto:order@dynaric.com) Web: [www.dynaric.com](http://www.dynaric.com)



# Dynaric, Inc.

## DF1131

Connect with us



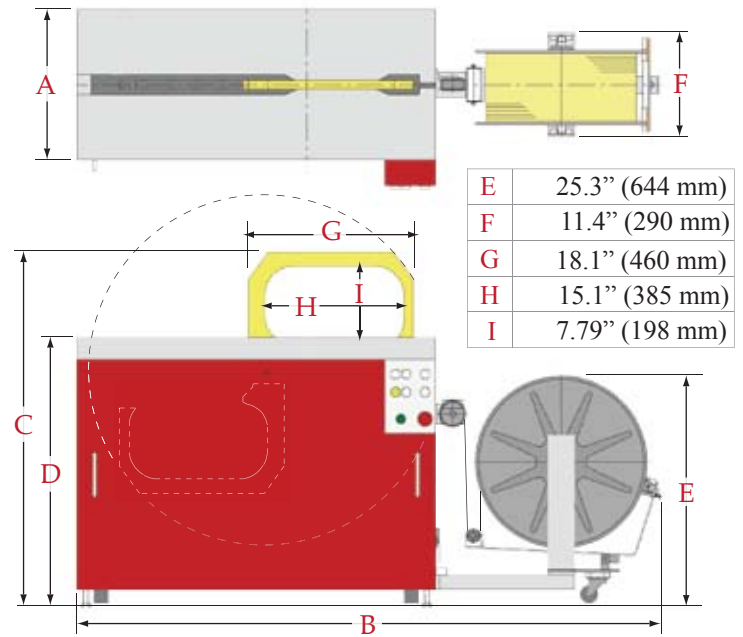
Unlike conventional strapping machines, which require materials to pass completely through the arch opening before strapping, the DF1131 applies strapping around items in the direction of the arch, therefore allowing the material to exit from the side of the machine - reducing the use of costly production floor space.

The DF1131 retractable arch bander is extremely user friendly and offers the ability for items to be strapped safer and more efficiently, with less damage than steel or costly PET products. A labor saving device designed with the user in mind, the DF1131 will increase overall production while dramatically reducing production costs.

### At A Glance

- Retractable arch allows long cumbersome products, such as moldings, extruded aluminum products, door and window frames, and furniture components, to be strapped in an easy, efficient manner
- Can be incorporated to an in-line system for operator-less applications
- Self-diagnostic capabilities and various alarm functions promote safety and ease of operation
- Ability to run 3/8", 1/2" or 5/8" polypropylene, controlled elongation PP and Ultraband strapping material
- An air nozzle with spiral hose attached to the DF1131 allows users within heavy dust/particle environments to remove excess dirt and foreign bodies from in and around the sealing head eliminating strapping jams and machine downtime
- External dispenser allows for quick and easy strap replacement

No matter your packaging needs let the professionals at Dynaric, Inc. show you a better and more cost effective way to secure your packages with our complete line of non-metallic plastic strapping and strapping systems.



<b>Overall Width:</b> A	16.5" (420 mm)
<b>Overall Length:</b> B	63.8" (1622 mm)
<b>Overall Height:</b> C	38.9" (988 mm)
<b>Table Height:</b> D	29.5" (750 mm)
<b>Weight:</b>	330 lbs (150 kg)
<b>Cycle Time:</b>	5 seconds
<b>Cycle Initiation:</b>	Palm switch
<b>Sealing Method:</b>	Heat seal
<b>Strap Size:</b>	3/8", 1/2" & 5/8"
<b>Package Size:</b>	Min. 3.9" W x 1.9" H Max. 9.8" W x 6.7" H
<b>Air Requirements:</b>	4 kg/cm <sup>2</sup>
<b>Seal Head Location:</b>	Bottom
<b>Mobility:</b>	2.6" casters
<b>Dispenser:</b>	Externally located - 9" I.D./8" Face/18" O.D.
<b>Power:</b>	220V, 3 phase, 60Hz

Certified Minority Owned Business

Phone: (800) 526-0827 Fax: (757) 363-8016 E-mail: [order@dynaric.com](mailto:order@dynaric.com) Web: [www.dynaric.com](http://www.dynaric.com)

