

# Dynaric/SMB COR

Most Versatile Strapping Machine For Folding Cartons

Automatic Bundle  
Squaring and  
Strapping Machine  
for 3, 4 and  
Multipoint Glued  
Cases and  
Crash-Locked  
Carton Bundles

## Zero Defects!

Using Soft Touch  
Technology to Strap  
Bundles of Folded  
Cartons Without  
Damage!

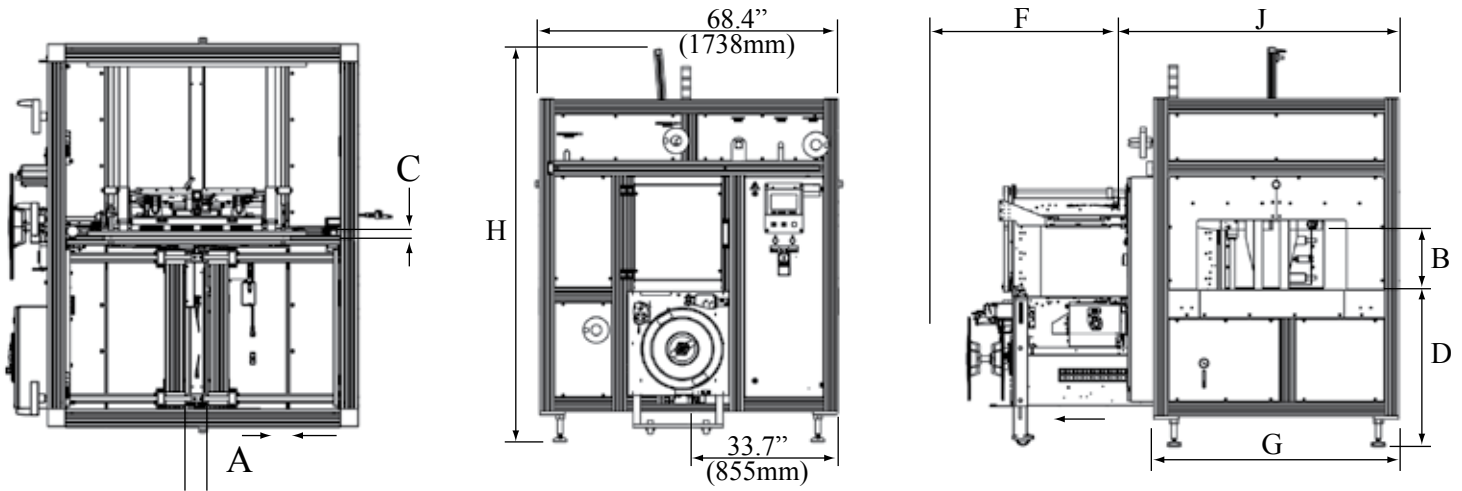


- Universal strapping of 3 and 4-point folding boxes
- User friendly and intuitive
- Format change in less than 2 minutes
- Robust and extremely low maintenance
- Easy To Service - pull-out strapping module
- High capacity

Certified Minority Owned Business

Phone: (800) 526-0827 | E-mail: [order@dynaric.com](mailto:order@dynaric.com) | Web: [www.dynaric.com](http://www.dynaric.com)





## At A Glance

- GreenTech energy concept, low power consumption
- DAT 'Direct-Access-Technology'
- ASLF 'Anti-Strap-Loss-Function' Constant strap control
- SMART TOUCH - Icon control concept
- 2000 Bundle recipe
- Automatic Strap feed
- Strap end detection system with automatic discharge of remaining strap
- The exclusive eject function avoids strap jam
- Conveyor speed steplessly adjustable
- Bundle stop plate with pre-positioning, no contact with bundle when clearing the bundle, with quick adjustment
- Bundle press, pre-positioning and electric driven
- Production data analysis via Ethernet/USB
- Bundle flow control
- Wear-free, energy saving direct-drive-motors
- Low maintenance and low wear strap arch

Arch Size		850	1250	1650
Sealing Head Centered		X	X	X
Machine Width	G	1410	1810	2210
Total Height	H	2315-2505	2315-2505	2315-2505
Table Height	D	820-1010	820-1010	820-1010
Weight in kg		Ca. 1000	Ca. 1200	Ca. 1400
Bundle Width	A	130-850	130-1250	140-1650
Max. Bundle Height	B	340	340	340
Additional Space Needed	F	1100	1300	1500
Distance Bundle Stops	C	25-580	25-580	25-580
Total Width Plus Coil	J	1600	2000	2400

<b>CAPACITY:</b>	Single strap:	Up to 29 bundles/minute
	Parallel strap:	Up to 17 bundles/minute
<b>BUNDLES:</b>	Width:	min. 130mm
	Length:	min. 150mm
	Height:	min. 50mm
	Weight:	max. 20kg
<b>TRANSPORT SPEED:</b>		0.40 – 1.40 m/s
<b>STRAP TENSION:</b>		Adjustable with 10 steps
	Tension at bundle:	max. 295 lbs.
<b>STRAPPING MATERIAL:</b>		Dynaric Polypropylene
	Width:	5mm – 12mm
	Thickness:	0.35mm – 0.65mm
<b>STRAP COIL:</b>	Core ID:	200mm
	Core OD:	420mm
	Width:	190mm (up to 200mm)
<b>POWER SUPPLY:</b>		Wide Range Input 380-520V, 3AC; 47 63 Hz Maximum fusing 16A (B-character)
	Protection Type:	IP 54
<b>POWER CONSUMPTION:</b>		
	Total consumption approx. :	0.98 kW
<b>PNEUMATICS:</b>		
	Operating pressure in bar:	6
	Air consumption per cycle in I (free air):	4.2
<b>OPERATING CONDITIONS:</b>		
	Temperature range:	+5C [41F] - +45C [113F]



## Optional

- Bundle compensator backside
- Machine movable
- Bundle stop plate for second strap
- Lateral belts with quick adjustment
- One or two driven top belts with quick adjustment



Certified Minority Owned Business