

N3400C Automatic Strapping Machine

The NEW CLASS of Automatic Strapping Machines

High Speed Automatic Strapping Machine



Innovative,
Reliable, Low
Maintenance
Compact
Sealing Head
Designed to
Secure Wood
Flooring,
Dowels, Trim and More

 Energy Saving Direct-Drive Motors

Dynaric, Inc.



Phone: (800) 526-0827 | E-mail: order@dynaric.com | Web: www.dynaric.com

N3400C

Simple, Easy to Use, Reliable Strapping Machine Technology

Follow Us!



Fewer moving wear parts: No belts, clutches, brakes, solenoids or rubber strap drive rollers

All metal strap drive rollers minimize strap dusting



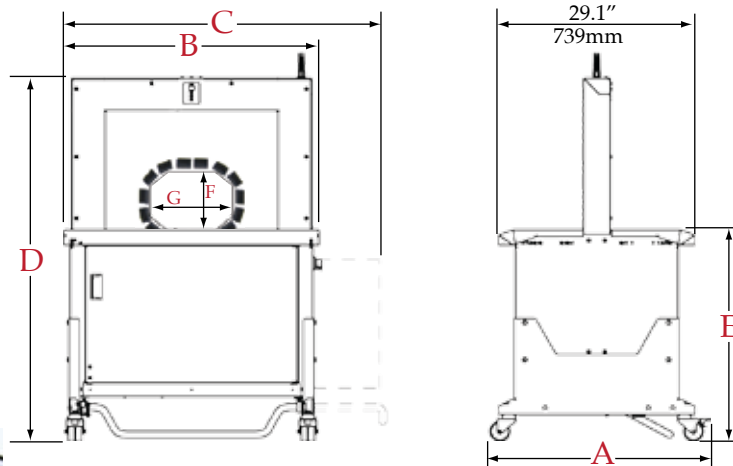
HOT knife sealing technology:
Proven time tested, efficient and low cost.

DAT (Direct-Access-Technology):
No tools are needed to access strap path for cleaning



Standard Features

- Up to 55 cycles per minute, depending on tension setting and package size
- Wear-free, **Energy Saving** 24VDC direct-drive motors
- Wear-free strap frame with stainless steel guides
- ASLF 'Anti-Strap-Loss-Function' constant strap control
- Power switch with lockout
- Automatic strap feed
- Strap width 5 - 12 mm
- Strap end detection system with automatic discharge of remaining strap
- Internal dispenser
- The exclusive eject function avoids strap jam
- Operation terminal with soft button
- Footbar at the operator side
- Adjustable torque controlled strap tension
- MFT 'Mono-Frame-Technology'
- Power connection located at the top of the arch or the bottom of the machine
- Table height steplessly adjustable
- Hinged removable tabletops



(F) 7.8" (198mm) (G) 11.2" (285mm)

Overall Width:	(A) 32.5" (828mm)
Overall Length:	(B) 37.6" (956mm)* (C) with external dispenser 47.6" (1210mm)*
Overall Height:	(D) 61.6 - 66.3" (1565 - 1685mm)*
Table Height:	(E) 31.3 - 35.8" (795 - 910mm)
Weight:	386 lbs. (175kg)*
Cycle Time:	Up to 55 cycles per minute
Cycle Initiation:	Photo eye sensor or footbar
Strap Size:	1/4" - 1/2" (5mm - 12mm)
Package Size:	Max. Governed By Arch Min. 1.37" H x 2.5" W
Tension:	Adjustable electronic control
Seal Head Location:	Bottom
Sealing Method:	Heat Seal
Mobility:	3" Casters
Dispenser:	Internally located- 8" or 9" I. D./8" Face/18" O.D.
Power:	110 Volt Single Phase

Options

- Ultrasonic automatic strap tensioning
- External dispenser

* Depending on Arch Size
** Additional arch sizes are available



Certified Minority Owned Company

Phone: (800) 526-0827 | E-mail: order@dynaric.com | Web: www.dynaric.com