

Dynaric, Inc.

DF207S

Semi-Automatic Stainless Steel Strapping Machine

Designed for the
Harsh Packaging
Environments of
the Meat, Poultry
and Seafood
Industries



Dynaric's high quality printed plastic strapping can be custom printed with your company logo, name, information or message. Printed strapping is an economical way to identify special products, display company logo and information or even for product security and more.



Dynaric, Inc.

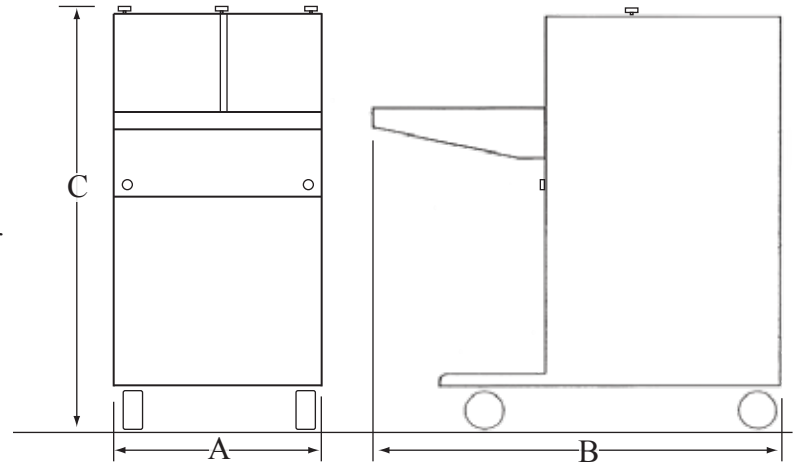


Phone: (800) 526-0827 | Fax: (757) 363-8016 | E-mail: order@dynaric.com | Web: www.dynaric.com

Certified Minority Owned Business

DF207S

The DF-207S is a stainless steel semi-automatic strapping machine manufactured for the use in harsh packaging environments; ideal for meat, seafood and agricultural packaging applications. This machine features an easily adjustable table height as well as an energy saving design that shuts down the main motor when there is no package to be strapped. The dispenser is stored inside the stainless steel cabinet to keep the unit compact, minimizing floor space. The external controls on the DF207S, allows the user to quickly adjust strap tension and feed to accommodate package requirements. The roller tabletops allow packages to glide effortlessly across the table.



A	23.6" (600mm)
B	39.4" (1000mm)
C	32.6" (828mm)

At A Glance

- Stainless steel, side seal design; ideal for meat, seafood & agricultural industries
- Equipped with corrosion retardant component parts; ideal for salt water and wet environments
- Easily adjustable table height
- Roller tabletops
- Equipped with tri-level strap insertion
- Internal dispenser; minimizes required floor space and protects strapping in wet environments
- External electronic tension control
- Energy saving feature; motor automatically shuts down when machine is not in use
- Adjustable tension range
- Casters allow for easy mobility
- Utilizes 3/8" or 1/2" strapping
- Six month warranty on parts

Length:	23.6" (600mm)
Width:	39.4" (1000mm)
Height:	32.6" (828mm)
Table Height:	32.8"-34.0" (833-836mm)
Weight:	209 lbs. (94.8 Kg.)
Cycle Time:	2.0 sec.
Tension:	7-120 lbs. (31.1-533.7N)
Sealing:	Heat
Strap Type:	Dynaric Polypropylene
Strap Size:	9mm-12mm
Voltage:	120 Volts

