

Dynaric, Inc.

# D2400V



## High Speed Side Seal Strapping Machine

Innovative  
Side Seal  
Design Ideal  
for use with  
Conveyor  
Systems



Capable Throughput of Over **45 Bundles Per Minute**



## XL Coils

Increase your production further by reducing downtime caused by changing coils. Dynaric's XL coils are still produced using the same high quality materials as our standard coils but with more footage therefore eliminating up to 30% of your coil changes.

Dynaric, Inc.





- **New state of the art digital display** includes a 0 tension button for sensitive bundles and up / down arrow keys for simple tension adjustment.

- **Ejector finger**, located in welding head, allows for runs where extremely low levels of tension are required, automatically detecting and correcting strap problems; and ensuring reliable, jam-free operations.

- **High speed cycle time**, capable of more than 50 cycles per minute.

- **Optional auto-bundle sensor**, senses height and adjusts tension within range.

- **Easy-strap feeding**, strap is inserted into the feeding slot and the machine automatically feeds itself.

- **Equipped with safety strap cutters** outside the machine; no knives or scissors are necessary to cut the strap.

- **Automatic mechanism** removes any leftover strap when strap coil is finished.



- **Conveyor interlocks** with trouble light keeps your production flowing smooth.

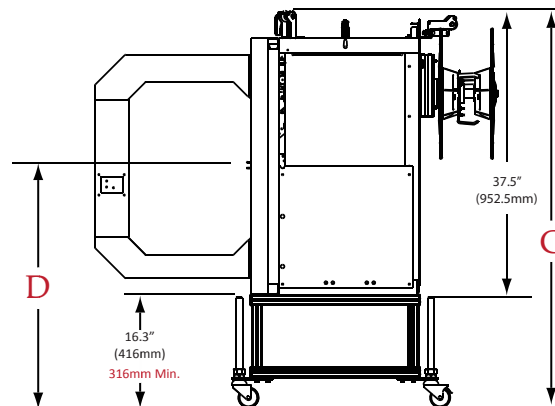
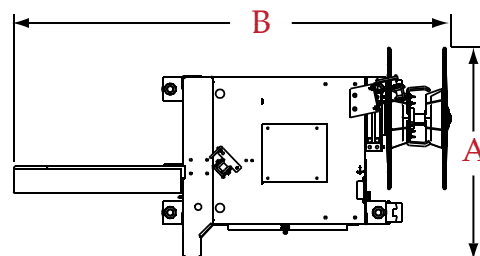


- **Strap cycle** can be initiated by photo eye switch or push button.

- **The machine seal height can be adjusted** to accommodate your requirements.

- **Durable machine** with reinforced arch and thick plates holds up to demanding environments.

- **Accepts 5mm, 6mm or 9mm Dynaric strapping**, requiring no additional parts or costs to change the strap size.



<b>Overall Width: (A)</b>	28.1" (715mm)
<b>Overall Length: (B)</b>	58.0" (1474mm) *
<b>Overall Height: (C)</b>	53.8" (1368.5mm)**
<b>Sealing Height: (D)</b>	35.2" (896mm)**
<b>Weight:</b>	375 lbs. - 540 lbs. (170 - 245kg.) *
<b>Cycle Time:</b>	1.1 seconds *
<b>Cycle Initiation:</b>	Photo eye sensor or Push Button
<b>Strap Size:</b>	1/4" & 3/8" (5mm - 9mm)
<b>Package Size:</b>	Max. Governed By Arch Min. 3" H x 1.5" W
<b>Tension:</b>	Adjustable electronic control
<b>Seal Head Location:</b>	Side
<b>Sealing Method:</b>	Heat Seal
<b>Mobility:</b>	3" Casters
<b>Dispenser:</b>	Externally located- 8" or 9" I.D./8" or 9" Face/18" O.D
<b>Power:</b>	110 Volt Single Phase

\* Depending on arch size

\*\* Height is adjustable

