

Dynaric, Inc.

# NP5000X

## High Speed Fully Automatic Cross Strapping Machine



Touch screen display simplifies machine setup



## XL Coils

Increase your production further by reducing downtime caused by changing coils. Dynaric's XL coils are still produced using the same high quality materials as our standard coils but with more footage therefore eliminating up to 30% of your coil changes.



**Dynaric, Inc.**



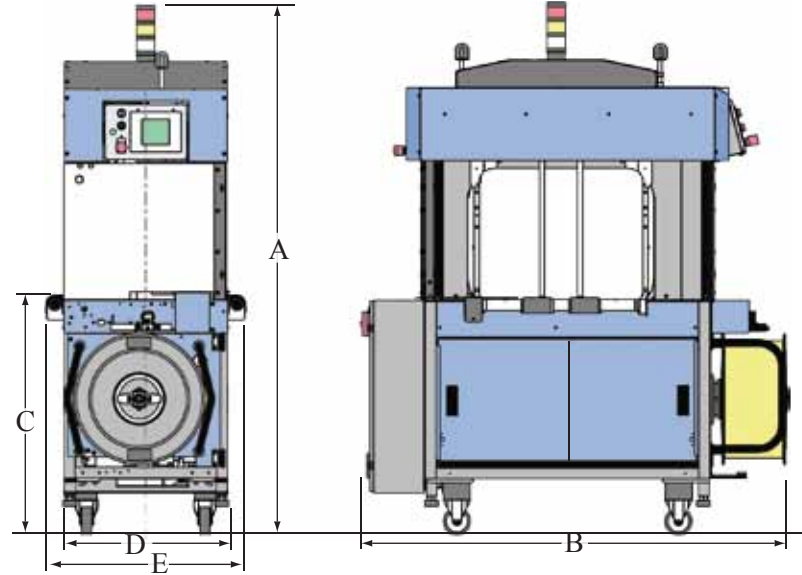
Phone: (800) 526-0827 Fax: (757) 363-8016 E-mail: [order@dynaric.com](mailto:order@dynaric.com) Web: [www.dynaric.com](http://www.dynaric.com)

*Certified Minority Owned Business*

The NP5000X is the latest addition to the Dynaric line of dependable newspaper strapping machines. The state of the art AC Servo Drive enables throughputs of 20 crossed strapped bundles per minute. The operator interface is enhanced through the use of a touch screen making it easier for users to program the strapping machine to accommodate their strapping needs. Maintenance is simplified by the use of fewer moving parts and removable panels for easy access to the sealing unit.

## At A Glance

- AC Servo Drive eliminates clutches and brakes used in welding head control
- Modern touch screen display simplifies machine setup and improves operator troubleshooting
- Automatic strap tensioning depending on height of bundle improves product consistency
- Automatic strap loading and self strap clearing after completion of coil speeds up coil changes
- Operator stations on both sides of machine simplify operation
- Bundle stops and side squaring bars preserve bundle integrity
- Simplified strap arch with fewer moving parts improves long term reliability
- Quick-change strap dispenser with capacity for Extra Length (Dynaric XL) coils extends time between coil changes.
- Soft bundle press conforms to odd shaped bundles for more consistent tension
- Variable speed conveyor drive allows speed matching for better control of incoming bundles



A	70.9-76.0"(1800-1930mm)	D	23.8"(604mm)
B	61.4"(1559mm)	E	29.0"(736mm)
C	31.5-36.6"(800-930mm)		

<b>Overall Width:</b>	29.0" (736mm)
<b>Overall Length:</b>	61.4" (1559mm)
<b>Overall Height:</b>	70.9"-76.0" (1800-1930mm)
<b>Conveyor Height:</b>	31.5"-36.6" (800-930mm)*
<b>Strap Size:</b>	6mm (5mm optional)*
<b>Speed:</b>	Cross straps: 20 Bundles/min Parallel straps: 25 Bundles/min Single strap: 45 Bundles/min 50 straps/min
<b>Weight:</b>	1190 lbs (540 kg)
<b>Sealing Method:</b>	Heat Seal
<b>Operation:</b>	Electro-pneumatic
<b>Air Requirement:</b>	22.3 CFM @ 87 PSI
<b>Electrical Requirements:</b>	Approximately 1.5 kW
<b>Bundle Size:</b>	Width: Max. 22" (560mm) Min. 7.9" (200mm) Length: Min. 6.7" (170mm) Height: Max. 15.7" (400mm) Min. 0.4" (10mm) Weight: Max. 55.11bs (25 kg)