

N3400V Automatic Strapping Machine

The NEW CLASS of Automatic Strapping Machines

High Speed Vertical Automatic Strapping Machine

**Innovative,
Reliable, Low
Maintenance
and Energy
Saving**



Energy Saving Direct-Drive Motors

Dynaric, Inc.



N3400V



Simple, Easy to Use, Reliable Strapping Machine Technology

Fewer moving wear parts: No belts, clutches, brakes, solenoids or rubber strap drive rollers

All metal strap drive rollers minimize strap dusting



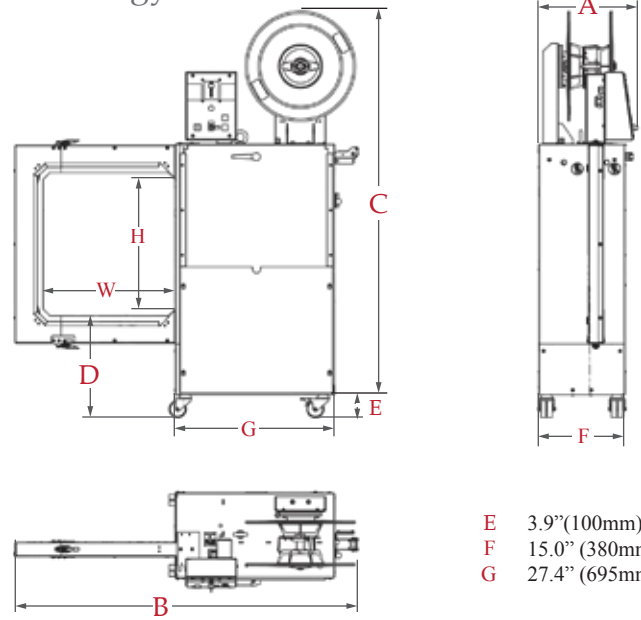
HOT knife sealing technology: Proven time tested, efficient and low cost.



DAT (Direct-Access-Technology): No tools are needed to access strap path for cleaning

Standard Features

- Up to 45 cycles per minute, depending on tension setting and package size
- **Wear-free, Energy Saving** 24VDC direct-drive motors
- **Wear-free** strap frame with stainless steel guides
- ASLF 'Anti-Strap-Loss-Function' constant strap control
- Power switch with lockout
- Automatic strap feed
- Strap width 5 - 12 mm
- Strap end detection system with automatic discharge of remaining strap
- External dispenser
- The exclusive eject function avoids strap jam
- Operation terminal with soft button
- Adjustable torque controlled strap tension
- MFT 'Mono-Frame-Technology'
- Power connection can be located at the top or the bottom of the machine
- Removable tabletops



E 3.9" (100mm)
F 15.0" (380mm)
G 27.4" (695mm)

| | |
|----------------------------|--|
| Overall Width: | (A) 17.1" (435mm) * |
| Overall Length: | (B) 59.0" (1497mm) * |
| Overall Height: | (C) 65.8 - 69.7" (1673 - 1773mm) * |
| Table Height: | (D) 13.6" - 17.5" (344 - 444mm) |
| Weight: | 441 lbs. (200kg) * |
| Cycle Time: | Up to 45 cycles per minute |
| Cycle Initiation: | Push button |
| Standard Arch Size: | 576mm(W) x 567mm(H)** |
| Strap Size: | 1/4" - 1/2" (5mm - 12mm) |
| Package Size: | Max. Governed By Arch Min. 2.17" H x .2" W |
| Tension: | Max. 240 lbs. (325 N) |
| Seal Head Location: | Side |
| Sealing Method: | Heat Seal |
| Mobility: | 3" Casters |
| Dispenser: | Internally located- 8" or 9" I. D./8" Face/18" O.D. |
| Power: | 110 Volt Single Phase |

* Depending on Arch Size
** Additional arch sizes are available



Phone: (800) 526-0827 | E-mail: order@dynaric.com | Web: www.dynaric.com Certified Minority Owned Company