

Dynaric, Inc.

DF-11SC

Automatic Stainless Cabinet Strapping Machine

Designed for the
Harsh Packaging
Environments of
the **Meat, Poultry
and Seafood**
Industries



Cost Reduction, Labor Saving



Personalize Your Plastic Strapping

Dynaric's high quality printed plastic strapping can be custom printed with your company logo, name, information or message. Printed strapping is an economical way to identify special products, display company logo and information or even for product security and more.



Dynaric, Inc.



Dynaric, Inc.

DF-11SC

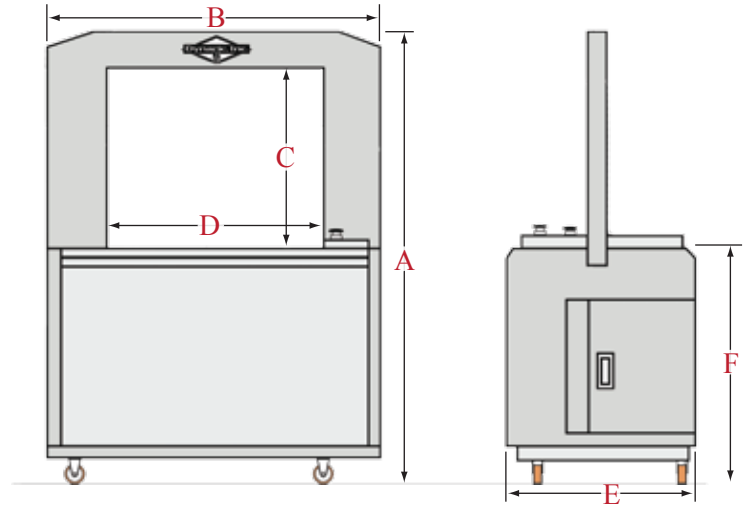


The DF-11SC utilizes a bottom seal design while incorporating a stainless steel cabinet to provide protection in the harsh environments of the seafood, meat and poultry packing industries.

The DF-11SC can be integrated into an existing conveyor system, minimizing the need for hand strapping and eliminating unnecessary package handling. The DF-11SC is a proven performer known for its cost reduction, labor saving capabilities. The DF-11SC offers a cycle time of 1.6 seconds (depending on arch/package size), strapping up to 37 packages per minute while maintaining a dramatic reduction in machine downtime and required maintenance.

At A Glance

- Anti-jam feature eliminates strap jams in unit.
- Internal dispenser; minimizes required floor space, keeps strap dry.
- Available in 110 volts single phase or 220, 440 volt, 3-phase (optional).
- Electronic control pads allows the operator to easily adjust timer functions, heater temperature setting and seal time.
- Digital display reflects the unit's operational status, including an error read-out for easy troubleshooting.
- Easy strap feeding and adjustable external tension control and heat seal allows operators to strap packages in easy, efficient manner.
- Cycle initiation by foot switch or push button.
- Energy saving feature; motor automatically shuts down when machine is not in use.
- Heavy-Duty casters allow for the machine to be easily moved throughout your facility.
- Available for use with 3/8" or 1/2" strapping



A	60.8" (1544 mm)	D	27.6" (700mm)
B	44.7" (1135 mm)	E	25.6" (650mm)
C	23.6" (600mm)	F	31.3" (795mm)

Overall Width:	25.6" (650 mm)
Overall Length:	44.7" (1135 mm)*
Overall Height:	60.8" (1544 mm)*
Table Height:	31.3" (795mm)
Weight:	506 lbs (230 kg)*
Cycle Time:	1.6 seconds*
Cycle Initiation:	Foot Switch, Push Button
Strap Size:	3/8" & 1/2"
Package Size:	Max. Governed By Arch Min. 1.2" H x 1.6" W
Tension:	Externally located, adjustable 10 - 250 lbs
Seal Head Location:	Bottom
Sealing Method:	Heat Seal
Mobility:	2 swivel and 2 fixed casters
Dispenser:	Internally located - 9"I.D./8" Face/18"O.D
Power:	110V, single phase, 220V or 440V, 3 phase, 60Hz **

* Depending on arch size

** Optional, must be specified at the time of order



Scan to join our
mailing list and
receive special offers

Dynaric, Inc.

