

# N3400 Automatic Strapping Machine

*The NEW CLASS of Automatic Strapping Machines*

## High Speed Automatic Strapping Machine

Innovative,  
Reliable, Low  
Maintenance  
and Energy  
Saving



 Energy Saving Direct-Drive Motors

**Dynaric, Inc.**

# N3400

Simple, Easy to Use, Reliable Strapping Machine Technology



**Fewer moving wear parts:** No belts, clutches, brakes, solenoids or rubber strap drive rollers

**All metal** strap drive rollers minimize strap dusting



**HOT knife sealing technology:**

Proven time tested, efficient and low cost.

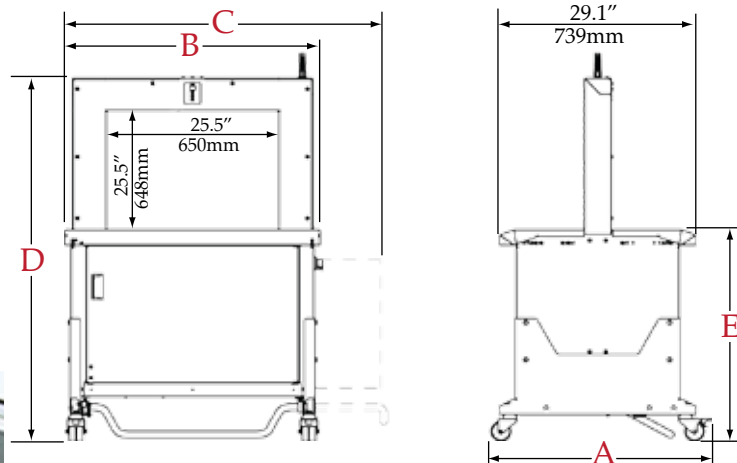
**DAT (Direct-Access-Technology):**

No tools are needed to access strap path for cleaning



## Standard Features

- Up to 55 cycles per minute, depending on tension setting and package size
- Wear-free, **Energy Saving** 24VDC direct-drive motors
- Wear-free strap frame with stainless steel guides
- ASLF 'Anti-Strap-Loss-Function' constant strap control
- Power switch with lockout
- Automatic strap feed
- Strap width 5 - 12 mm
- Strap end detection system with automatic discharge of remaining strap
- Internal dispenser
- The exclusive eject function avoids strap jam
- Operation terminal with soft button
- Automatic cycle start by tabletop sensor
- Footbar at the operator side
- Adjustable torque controlled strap tension
- MFT 'Mono-Frame-Technology'
- Power connection located at the top of the arch or the bottom of the machine
- Table height steplessly adjustable
- Hinged removable tabletops



**Overall Width:** (A) 32.5" (828mm)

**Overall Length:** (B) 37.6" (956mm)\*

(C) with external dispenser 47.6" (1210mm)\*

**Overall Height:** (D) 61.6 - 66.3" (1565 - 1685mm)\*

**Table Height:** (E) 31.3 - 35.8" (795 - 910mm)

**Weight:** 386 lbs. (175kg)\*

**Cycle Time:** Up to 55 cycles per minute

**Cycle Initiation:** Photo eye sensor or footbar

**Standard Arch Size:** 600mm(W) x 600mm(H)\*\*

**Strap Size:** 1/4" - 1/2" (5mm - 12mm)

**Package Size:** Max. Governed By Arch

Min. 1.5" H x 3" W

**Tension:** Adjustable electronic control

**Seal Head Location:** Bottom

**Sealing Method:** Heat Seal

**Mobility:** 3" Casters

**Dispenser:** Internally located-

8" or 9" I. D. / 8" Face / 18" O.D.

**Power:** 110 Volt Single Phase

## Options

- Ultrasonic automatic strap tensioning
- External dispenser

\* Depending on Arch Size

\*\* Additional arch sizes are available

**Dynaric, Inc.**



Certified Minority Owned Company

Phone: (800) 526-0827 | E-mail: order@dynaric.com | Web: www.dynaric.com