



DF35FS

Floriculture Strapping Machine

The Perfect Solution for
Securing Procona[®] Containers
for the Floral Industry

Procona[®] is a registered trademark of Pagter Innovations



Dynamic, Inc.



Dynaric, Inc.

DF35FS

We Made Packing Procona® Containers Easier!

Connect with us



No Need to Have Multiple Machines to Secure Your Procona® Containers.

The DF35FS Strapping Machine is an efficient, easy to use automatic strapping machine designed to secure Procona® containers for shipment. What makes this machine unique? The DF35FS is a collar insert machine and strapping machine rolled into one! Equipped with a foot pedal to operate pneumatically controlled arms that fold the cardboard carton collars around the Procona® floral container, the operator manually inserts the ventilated lid and straps the container. The DF35FS is the perfect strapping machine for any size floral warehouse, whether you are securing small Procona® containers for local deliveries or larger containers for worldwide shipments this is a MUST HAVE machine for your application.

At A Glance

- Easy, removable strapping unit to perform routine maintenance
- Utilizes a direct drive dual motor system, eliminating the need for clutches and brakes
- Improved strap feed system eliminates slipping during tensioning even under the harshest conditions
- Compact, low maintenance sealer head
- 5mm - 15mm Dynaric strapping can be used
- Strapping head cycle time capable of 25 - 30 straps per minute
- Strap feed and tension are externally controlled
- Minimal maintenance and lubrication required
- Easily accessible strap dispenser
- Complete accessibility for maintenance
- Operates on 120V single-phase power



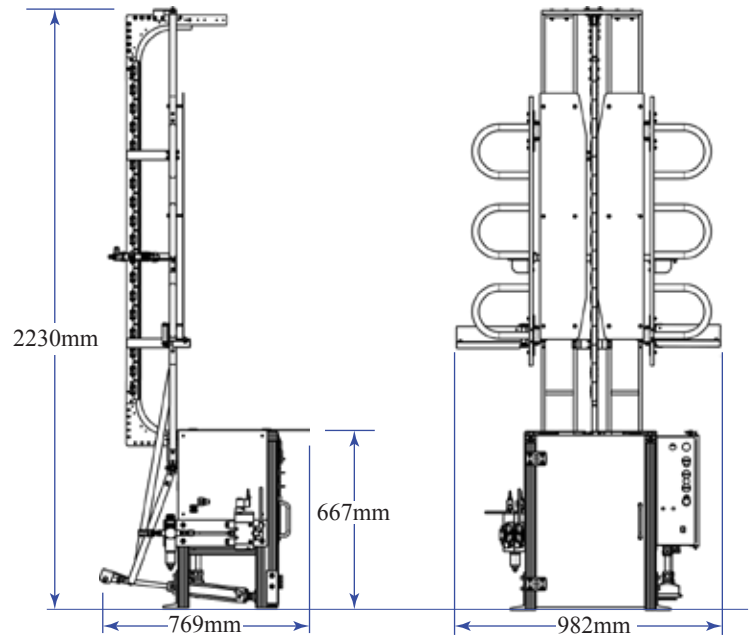
Please Recycle

All Dynaric plastic strapping is 100% recyclable!

Dynaric, Inc.



Phone: (800) 526-0827 Fax: (757) 363-8016 E-mail: order@dynaric.com Web: www.dynaric.com



Overall Width:	38.6" (982mm)
Overall Length:	30.2" (769mm)
Overall Height:	87.7" (2230mm)
Table Height:	26.2" (667mm)
Sealing Method:	Heat Seal
Power Supply:	120/220V Single Phase
Cycle Initiation:	Strap Insertion
Tension:	Adjustable: 36 - 325 lb.
Max. Package Weight:	180 lbs. (81.6 kg)
Strapping Size:	1/4" (5 mm) - 5/8" (15.5 mm)
Dispenser:	8" (203 mm) I.D./8" (203 mm) face/18" (457 mm) O.D. 9" (229 mm) I.D./8" (203 mm) face/18" (457 mm) O.D.



Dynaric's high quality printed plastic strapping can be custom printed with your company logo, name, information or message. Printed strapping is an economical way to identify special products, display company logo and information or even for product security and more.

Certified Minority Owned Business