

Dynaric

AM659YSS

Stainless Steel Fully Automatic Side Seal Strapping Machine

Designed for
the Harsh
Packaging
Environments
of the **Meat,**
Poultry and
Seafood
Industries



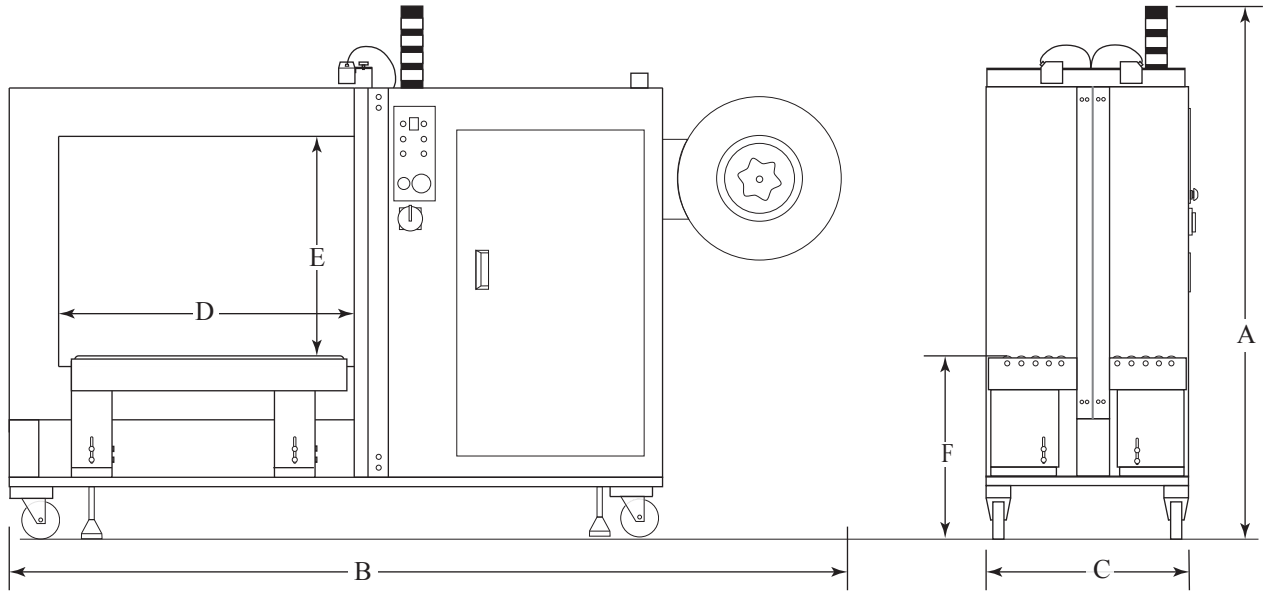
- ▶ Performance
- ▶ Reliability
- ▶ User Friendly

Dynaric, Inc.



Phone: (800)526-0827 | Fax: (757)363-8016 | E-mail: order@dynaric.com | Web: www.dynaric.com

Subsidiary of Polychem LLC



Looking for a stainless steel plastic banding machine that is budget friendly, reliable and can exceed your performance demands? This is the machine for you!

The AM659YSS is a high-speed side seal automatic plastic strapping machine constructed around a solid, heavy duty frame and stainless steel body panels. Equipped with adjustable tabletops this strapping machine can be easily rolled into an existing production line and conveyor system. Capable of applying up to 50 straps/minute this stainless steel strapping machine will certainly keep up with increased production demands.

A	56.1" (1425mm)
B	81.5" (2070mm)
C	22.8" (580mm)
D	23.6" (600mm)
E	23.6" (600mm)
F	20"-24.75" (510-630mm)

At A Glance

- Servo motors for precise performance and elimination of belts, clutches and pulleys
- Wide range electronic tension control
- Adjustable strap heat seal/dwell time for optimum seal joint efficiency
- Applies 50 straps/minute
- Automatic coil feed system for ease of start up
- End of strap sensor and strap loop ejector
- Strap re-feed system in case of a short feed
- Standard equipped with photo sensors for fully automatic operation.
- Standard arch sizes available 600mm wide x 600mm high

Cycle Time:	50 straps per minute
Tension Range:	2.2-121 lbs.
Strap Width:	9mm or 12mm
Sealing Method:	Heating Element
Reel Inside Diameter:	200, 230, 280mm (specified)
Power Supply:	110/220/230/240V,50/60Hz,1PH
Power Consumption:	0.5 kw
Standard Arch Size:	W 600 x H 600mm
Slide Table Height:	695mm
Layout Dimension:	L 2070 x W 580 x H 1425mm
Machine Weight:	640 lbs.

Please Recycle!



Dynaric polypropylene strap contains no metal additives in the resin or pigments and is 100% recyclable.

