



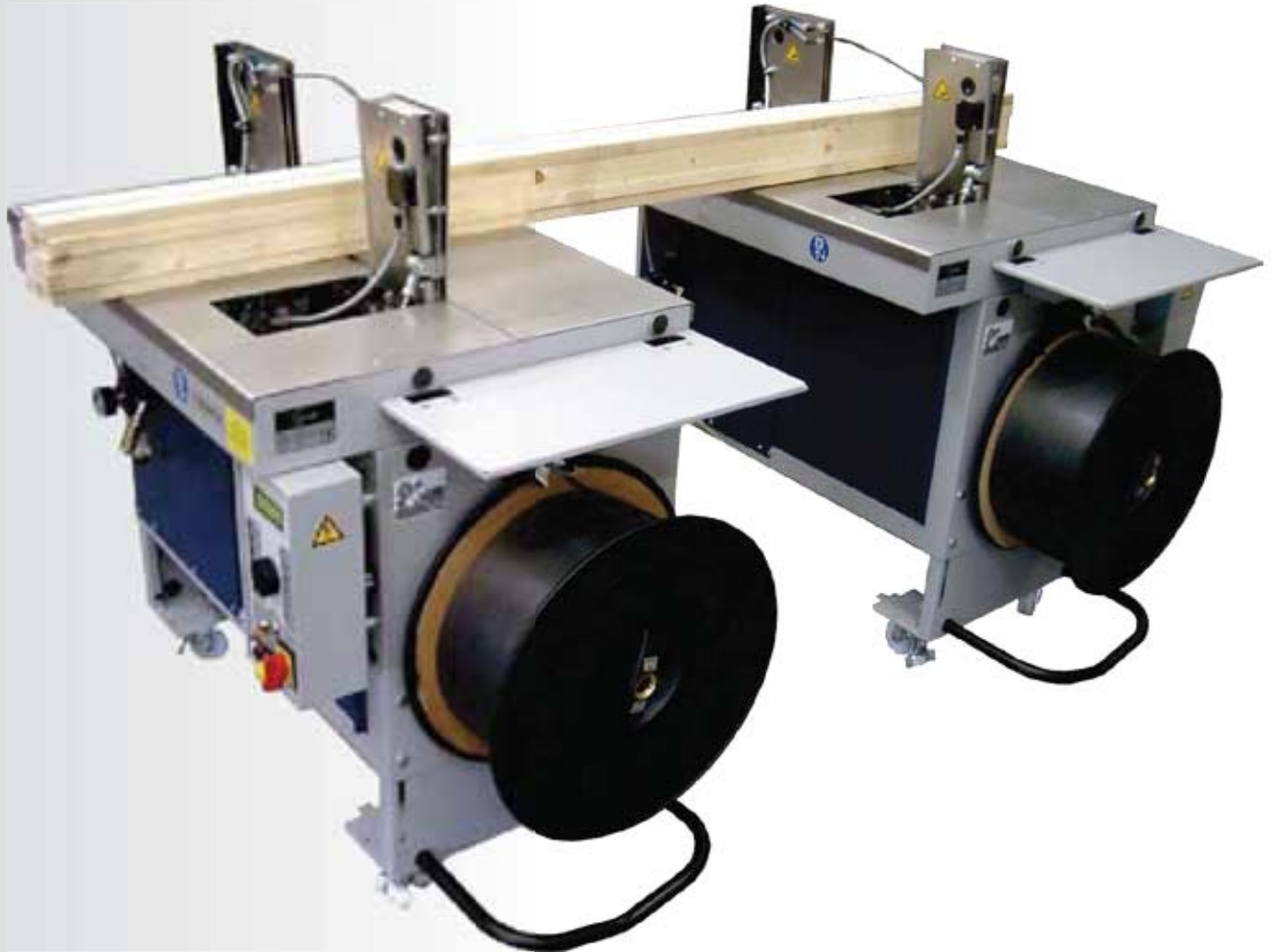
SI1

Connect with us



Automatic Retractable Arch Strapping Machine

Custom Designed for the Lumber Industry



- *Easy to Operate*
- *Reliable and Low Maintenance*

Dynaric, Inc.



SI1

Automatic Retractable Arch Strapping Machine

The SI1 has a unique retractable arch design that allows long products to be strapped. The SI1 applies strapping around items in the direction of the arch, therefore allowing the material to exit from the side of the machine - reducing the use of costly production floor space.

A labor saving device designed with the user in mind, the SI1 will increase overall production while dramatically reducing production costs.

- High speed: max. 24 straps/min.
- Patented plusAir technology



- Jog dial operation, displaying machine status on the display
- No horizontal strap arch – thus less move mass

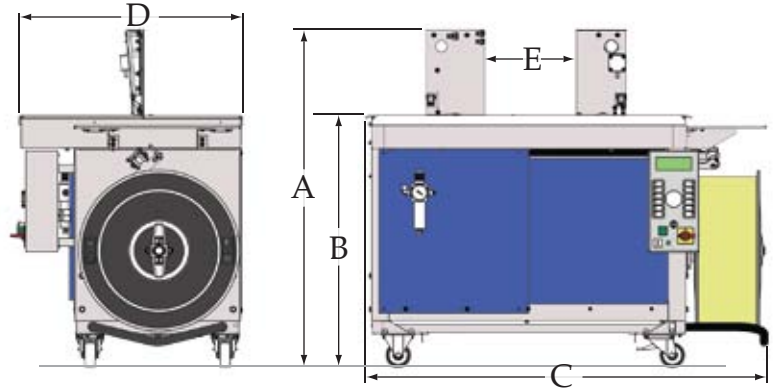
- Fully automatic strap threading with ejection of remaining strap – allowing fast change of strap coil
- High-Tech sealing head requiring maintenance only every 1 million strap cycles
- Suitable to run on 9 or 12mm strap width
- Hinged strap guides
- Fume dissipation
- Strap cutter
- PLC control
- Electrical coil brake
- Adjust table height steplessly
- Allowing signal exchange with external conveyor equipment



Increase your production further by reducing downtime caused by changing coils.

XL Coils

Dynaric's XL coils are still produced using the same high quality materials as our standard coils but with more footage therefore eliminating up to 30% of your coil changes.



A	39.7 - 45.2" (1009 - 1149mm)
B	29.6 - 35.2" (753 - 893mm)
C	47.4" (1204mm)
D	26.3" (668mm)
E	10.7 (273mm)

Strap Rate:	Max. 24 straps/min
Bundle Size:	Width: min. 2.75" (70mm) max. 10.23" (260mm) Height: min. .39" (10mm) max. 7.28" (185mm)
Bundle Weight:	Max. 77.1 lbs. (35kg)
Strapping Material:	Width: 9mm or 12mm Thickness: 0.40 - 0.60 mm
Sealing Method:	Heat Seal
Tension Force:	0-110.15 lbs. (0-490 N)
Tension Path:	0-5.90 in. (0-150 mm)
Strap Tension:	Stepless adjustment
Electrical Requirements:	110 Volts single phase 220 Volts single phase
Pneumatics:	Operation pressure 87psi (6 bar)
Operating Modes:	Manual and Automatic (with external signal)

Dynaric, Inc.

