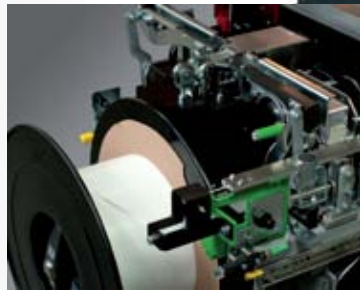


Dynaric, Inc.

NP7000 Plus

High Speed
Fully Automatic
Operator-Less
Plastic
Strapping
Machine

for the
Graphic
Arts
Industry



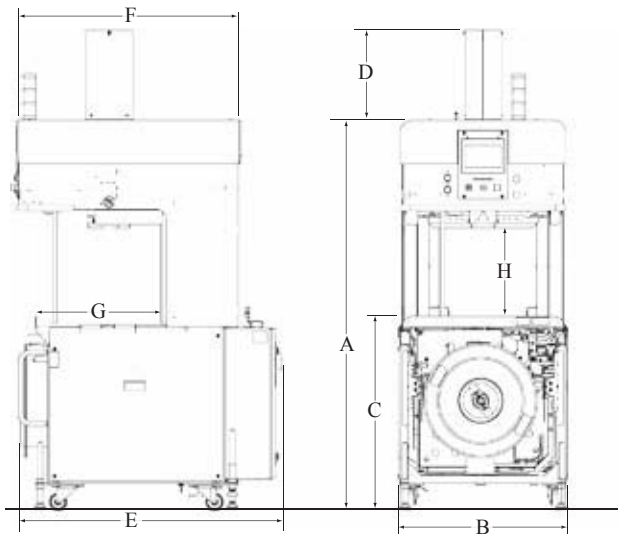
Optimal Access

Unique, Lateral Strapper

Dynaric, Inc.®



NP7000 Plus



A	62.2" - 73.2" (1581 - 1860mm)
B	28.1" (714mm)
C	28.4" - 39.4" (721 - 1000mm)
D	15.0" (380.5mm)
E	44.0" (1116.5mm)
F	37.0" (940mm)
G	21.6" (549mm)
H	16.0" (407.5mm)
I	21.6" (550mm)
J	3.3" (84mm)
K	2.4" (60mm)

At A Glance

- Unique indexing strap arch allows strap placement along the length of the bundle without rotating
- ASLF 'Anti-Strap-Loss-Function' Constant strap control
- Strap width 5mm – 9mm, adjustable
- Automatic strap threading, soft
- Strap end detection system with automatic discharge of remaining strap
- Automatic strap tensioning, stepless
- Strap coil detection with yellow indicator lamp
- DAT 'Direct-Access-Technology'
- The exclusive eject function avoids strap jam
- Torque controlled strap tension, adjustable
- Upstream and downstream interlocks with complete plug connection
- ETA 'Easy to Access' - Full access to strapping head without moving machine offline
- Conveyor speed steplessly adjustable
- **GreenTech**, low power consumption
- Production data analysis via Ethernet/USB
- SAO 'Safe and Open' - Safe without protection doors
- SMART Touch - Icon control
- Wear-free, energy saving direct-drive-motors
- Wear-free Strap-frame with stainless steel guides

Capacity: Up To 32 bundles/minute

Bundles: Width: 5.9"-16.5" (150 - 420mm)
 Length: 5.9"-16.5" (150 - 420mm)
 Height: .39"-15.7" (10 - 400mm)
 Weight: Max. 55.1 lbs.(25 Kg.)

Conveyor Speed: .65 - 3.35 f/s (0.20 – 1.02 m/s)

Strap Tension: Steplessly adjustable
 Max. 73.0 lbs. (325 N)

Strapping Material: Dynaric Polypropylene
 Width: 1/4"-3/8" (5-9mm)
 Thickness: .016"-.022" (0.4 – 0.55mm)

Sealing Method: Heat seal

Strap Coil: Core I.D.: 7.87" (200mm)
 Core O.D.: 16.5" (420mm)
 Max.Width: 7.87" (200mm)

Power Supply: 380 - 550 VAC; 47- 63 Hz

Power Consumption: 0.40 kW

Weight: 990 lbs. (450 Kg)

Options:

- Bundle stops
- Bundle press

