

N3400C Automatic Strapping Machine

The NEW CLASS of Automatic Strapping Machines

High Speed Automatic Strapping Machine



**Innovative,
Reliable, Low
Maintenance
Compact
Sealing Head
Designed to
Secure Wood
Flooring,
Dowels, Trim and More**

Energy Saving Direct-Drive Motors

Dynaric, Inc.



N3400C

Simple, Easy to Use, Reliable Strapping Machine Technology

Follow Us!



Fewer moving wear parts: No belts, clutches, brakes, solenoids or rubber strap drive rollers

All metal strap drive rollers minimize strap dusting



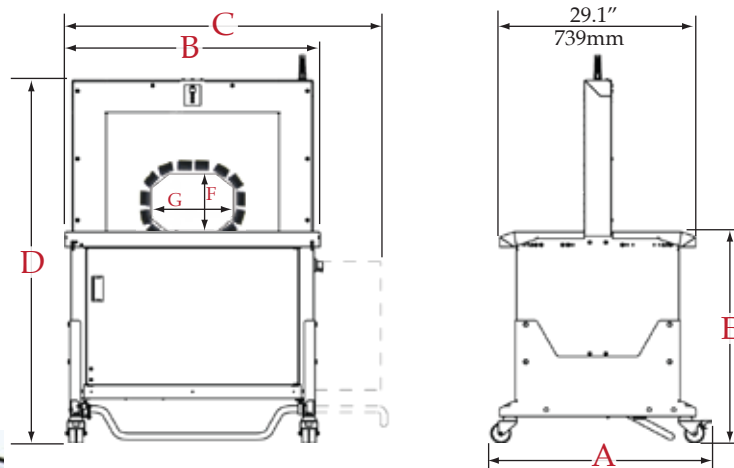
HOT knife sealing technology:
Proven time tested, efficient and low cost.

DAT (Direct-Access-Technology):
No tools are needed to access strap path for cleaning



Standard Features

- Up to 55 cycles per minute, depending on tension setting and package size
- Wear-free, **Energy Saving** 24VDC direct-drive motors
- Wear-free strap frame with stainless steel guides
- ASLF 'Anti-Strap-Loss-Function' constant strap control
- Power switch with lockout
- Automatic strap feed
- Strap width 5 - 12 mm
- Strap end detection system with automatic discharge of remaining strap
- Internal dispenser
- The exclusive eject function avoids strap jam
- Operation terminal with soft button
- Footbar at the operator side
- Adjustable torque controlled strap tension
- MFT 'Mono-Frame-Technology'
- Power connection located at the top of the arch or the bottom of the machine
- Table height steplessly adjustable
- Hinged removable tabletops



(F) 7.8" (198mm) (G) 11.2" (285mm)

Overall Width:	(A) 32.5" (828mm)
Overall Length:	(B) 37.6" (956mm)* (C) with external dispenser 47.6" (1210mm)*
Overall Height:	(D) 61.6 - 66.3" (1565 - 1685mm)*
Table Height:	(E) 31.3 - 35.8" (795 - 910mm)
Weight:	386 lbs. (175kg)*
Cycle Time:	Up to 55 cycles per minute
Cycle Initiation:	Photo eye sensor or footbar
Strap Size:	1/4" - 1/2" (5mm - 12mm)
Package Size:	Max. Governed By Arch Min. 1.37" H x 2.5" W
Tension:	Adjustable electronic control
Seal Head Location:	Bottom
Sealing Method:	Heat Seal
Mobility:	3" Casters
Dispenser:	Internally located- 8" or 9" I. D./8" Face/18" O.D.
Power:	110 Volt Single Phase

Options

- Ultrasonic automatic strap tensioning
- External dispenser

* Depending on Arch Size
** Additional arch sizes are available



Certified Minority Owned

Phone: (800) 526-0827 | E-mail: order@dynaric.com | Web: www.dynaric.com