

Dynaric, Inc.

AM659A

Fully Automatic Strapping Machine

Efficient Strapping Machine to Streamline your Packaging Process!



Up To 25 Straps Per Minute

Ideal for:



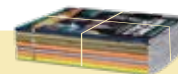
Totes



Cut Paper, Boxes/Cartons



Linen/Rags



Newspaper and Magazines



Wood/Lumber

Dynaric, Inc.



Certified Minority Owned Business

Phone: (800) 526-0827 | Fax: (757) 363-8016 | E-mail: order@dynaric.com | Web: www.dynaric.com

The AM659A, Fully Automatic Strapping Machine, provides the ultimate in reliability by incorporating the latest servo motor technology. Servo motors use less energy to operate and greatly reduce the number of moving parts therefore minimizing machine maintenance and receiving a quicker Return On Investment!

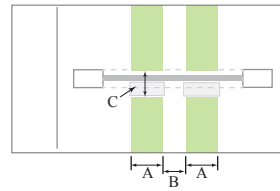
At A Glance

- Fully automatic strapping machine, designed to be used with Dynaric polypropylene strap
- Up to 25 Bundles\minute
- Reliable AC servo motors and drives
- Direct access controls for quick adjustments
- Four tier LED status light tower
- Automatic strap feed
- Strap width 5 - 12mm
- The exclusive eject function avoids strap jam
- Torque controlled strap tension, adjustable
- Upstream and downstream interlocks
- Conveyor speed steplessly adjustable
- Straightforward operator interface
- Easy machine mobility
- Bundle press, **optional**

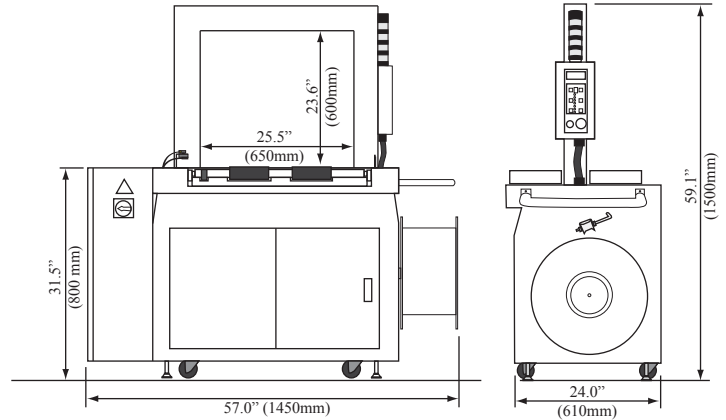


Increase Your Savings

Dynaric XL coils are made using high-grade polypropylene to ensure you receive the highest quality, most reliable and best tenacity strap available on the market today. Using our XL coils will increase your overall throughput and reduce the amount of downtime caused by coil changes by up to 30%.



- A: Conveyor belt 5.4" (138mm)
- B: Gap between the two conveyor belts 3.8" (97mm)
- C: The gap between the entry belts and the exit belts 3.0" (76.2mm)



| | |
|----------------------------|---|
| Overall Width: | 24.0" (610mm) |
| Overall Length: | 57.0" (1450mm) |
| Overall Height: | 59.1" (1448mm) |
| Weight: | 617 lbs.(280 kg) |
| Cycle Time: | 2.4 seconds |
| Cycle Initiation: | Photo Eye or Push Button |
| Strap Size: | 3/8"-1/2" (9mm -12mm) (optional 5-6mm) |
| Sealing Method: | Heat Seal |
| Package Size: | Min. 1.57"H x 4.72"W x4.72"L Max. Governed By Arch |
| Tension: | Externally located, Touch Pad adjustable 6.6 - 132 lbs. |
| Seal Head Location: | Bottom: 17.5" (444.5mm) from right side of the machine |
| Power: | 110/230 Volt AC (460 Volt AC) |
| Mobility: | 2 swivel and 2 fixed casters |
| Dispenser: | Externally located - 8"or 9" I.D/8"or 9"Face/18"O.D. |



Corporate Office
 5740 Bayside Road
 Virginia Beach, VA 23455

Extrusion Division
 5925 Thurston Ave
 Virginia Beach, VA 23455

Certified Minority Owned Business