

Dynaric, Inc.

# NP7000 Inline

High Speed  
Fully Automatic  
Operator-Less  
Plastic  
Strapping  
Machine

for the  
Graphic  
Arts  
Industry

Cross **X** Strap  
Without a Bundle Turn

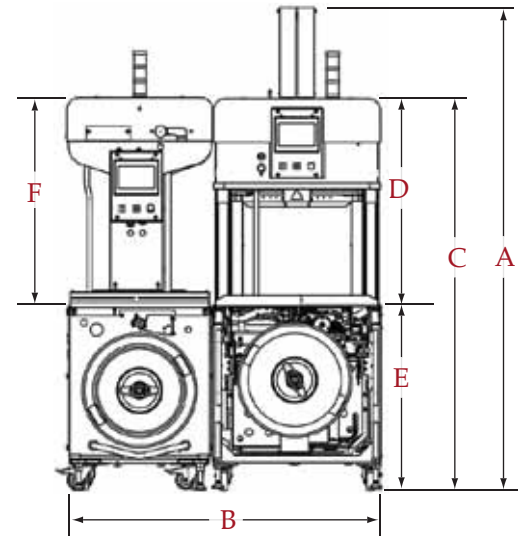
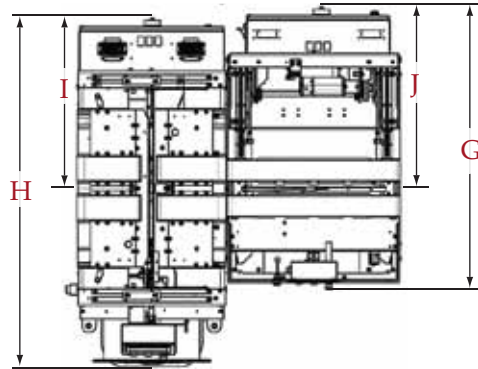


- User-friendly and Intuitive
- Optimal Access
- Intrinsicly Safe Without Protective Doors
- **50% Less Energy Consumption**

**Dynaric, Inc.**



A	77.2"-88.2" (1961.5-2240.5mm)
B	52.1" (1325.5mm)
C	62.2"-73.2" (1581-1860mm)
D	33.9" (860mm)
E	28.4"-39.4" (721-1000mm)
F	34.0" (864mm)
G	45.3" (1149.5mm)
H	55.9" (1419.5mm)
I	29.5" (658mm)
J	27.7" (704mm)



## At A Glance

- **Unique indexing strap arch** allows strap placement along the length of the bundle without rotating
- **ASLF 'Anti-Strap-Loss-Function'** Constant strap control
- Strap width 5mm – 9mm, adjustable
- Automatic strap threading, soft
- Strap end detection system with automatic discharge of remaining strap
- Automatic strap tensioning, stepless
- Strap coil detection with yellow indicator lamp
- **DAT 'Direct-Access-Technology'**
- The exclusive eject function avoids strap jam
- Torque controlled strap tension, adjustable
- Upstream and downstream interlocks with complete plug connection
- Conveyor speed steplessly adjustable
- **GreenTech**, low power consumption
- Production data analysis via Ethernet/USB
- **SAO 'Safe and Open'** - Safe without protection doors
- **SMART Touch** - Icon control panel
- Standby mode
- Wear-free, energy saving 24 volt direct-drive-motors
- Wear-free Strap-frame with stainless steel guides

### Optional

- Bundle stops
- Bundle press

**Capacity:** 32 Cross strap, bundles/minute:

**Bundles:** Width: 5.9"-16.5" (150 - 420mm)  
 Length: 5.9"-16.5" (150 - 420mm)  
 Height: .39"-15.7" (10 - 400mm)  
 Weight: Max. 55.1 lbs.(25 Kg.)

**Conveyor Speed:** .65 - 3.28 f/s (0.20 – 1.0 m/s)

**Strap Tension:** Steplessly adjustable  
 Max. 73.0 lbs. (325 N)

**Strapping Material:** Dynaric Polypropylene  
 Width: 1/4"-3/8" (5-9mm)  
 Thickness: .016"-.022" (0.4 – 0.55mm)

**Sealing Method:** Heat seal

**Strap Coil:** Core I.D.: 7.87" (200mm)  
 Core O.D.: 16.5" (420mm)  
 Max. Width: 7.87" (200mm)

**Power Supply:** 380 - 550V 3,AC; 47 - 63 Hz

**Power Consumption:** 0.75 kW

**Weight:** 1826 lbs. (830 Kg)

