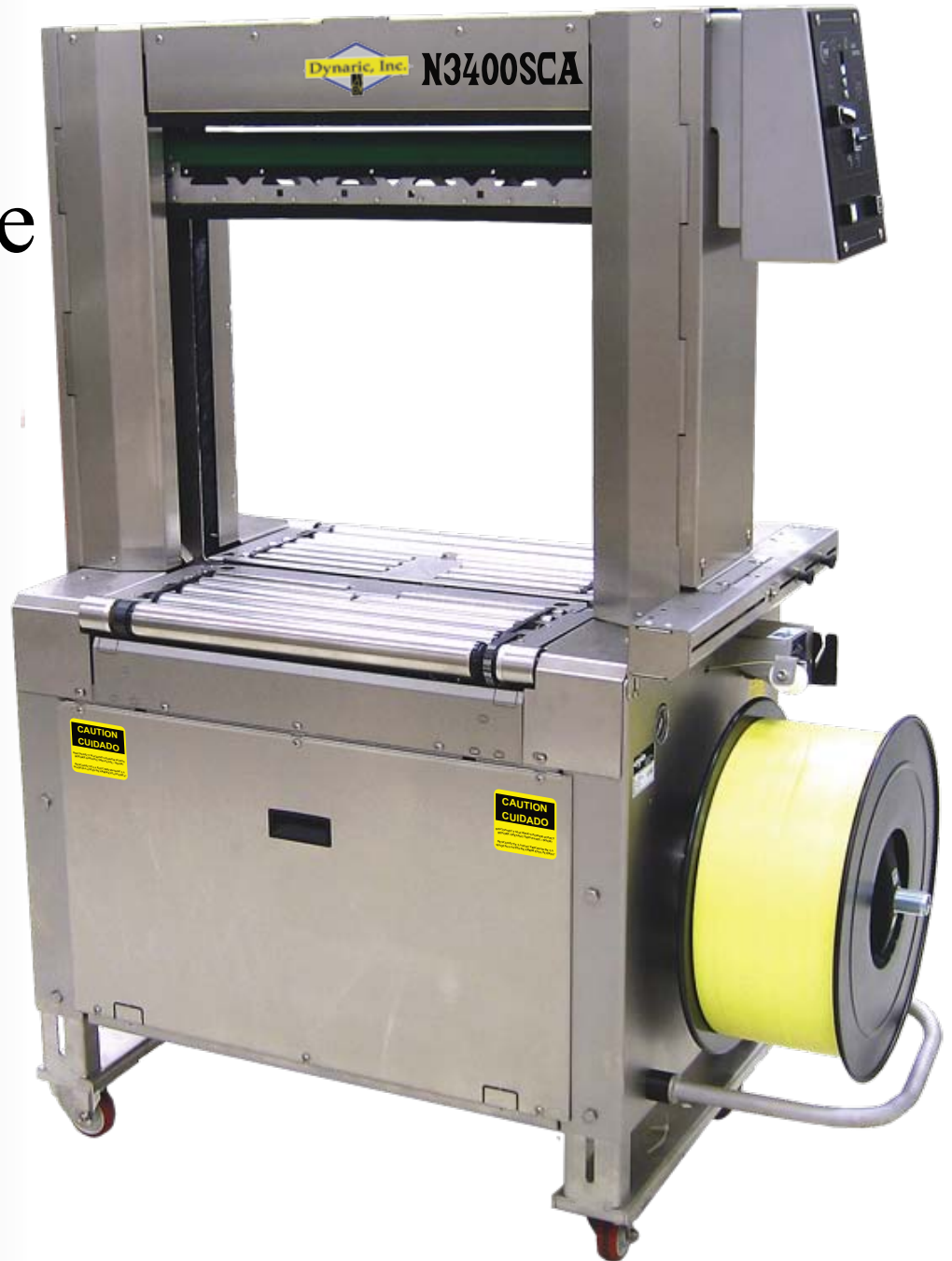


N3400SCA

Fully Automatic Stainless Steel Strapping Machine

High
Performance
Fully
Automatic
Strapping
Machine



Innovative,
Reliable, Low
Maintenance and
Energy Saving

*Designed for the
Seafood, Meat,
Poultry and
Processed Food Industry*

 Energy Saving Direct-Drive Motors

Certified Minority Owned Business

Phone: (800) 526-0827 | E-mail: order@dynaric.com | Web: www.dynaric.com

 Dynaric, Inc.

N3400SCA

Simple, Easy to Use, Reliable Strapping Machine Technology



Fewer moving wear parts: No belts, clutches, brakes, solenoids or rubber strap drive rollers

All metal strap drive rollers minimize strap dusting



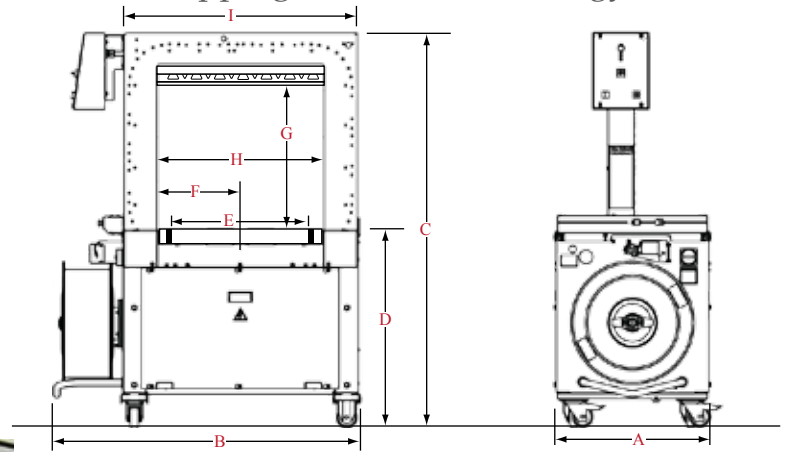
HOT knife sealing technology:
Proven time tested, efficient and low cost.

DAT (Direct-Access-Technology):
No tools are needed to access strap path for cleaning



Standard Features

- Up to 35 Bundles\minute
- **Wear-free, Energy saving** direct-drive-motors
- **Wear-free** Strap-frame by stainless steel guide
- ASLF 'Anti-Strap-Loss-Function' Constant strap control
- Automatic Strap feed
- Strap width 5 - 12 mm
- Stainless Steel body to withstand harsh conditions
- DAT 'Direct-Access-Technology'
- The exclusive eject function avoids strap jam
- Torque controlled strap tension, adjustable
- Upstream and downstream interlocks
- Conveyor speed steplessly adjustable
- Intuitive operator interface
- Machine movable
- MFT 'Mono-Frame-Technology'
- Bundle press, optional
- SAO 'Safe and Open' - Safe without protection doors
- Table height steplessly adjustable
- Bundle flow control
- Low maintenance and low wear strap arch
- Stainless steel welding plate, low maintenance



| | | |
|--------------------------|---|-----------|
| Arch size | | 600x600 |
| Total length + Coil | B | 1200 |
| Total height | C | 1540-1770 |
| Conveyor roller width | E | 600 |
| Position of sealing head | F | 325 |
| Inner width of arch | H | 650 |
| Arch width | I | 910 |
| Inner height of arch | G | 640 |

| | |
|----------------------------|--|
| Overall Width: | (A) 23.9" (608mm) |
| Overall Length: | (B) 47.2" (1200mm)* |
| Overall Height: | (C) 60.6 - 69.6" (1540 - 1770mm)* |
| Table Height: | (D) 30.3 - 39.3" (770- 1000mm) |
| Weight: | 639 lbs. (290 kg)* |
| Cycle Time: | Up to 35 bundles per minute |
| Cycle Initiation: | Photo eye sensor |
| Standard Arch Size: | 600mm(W) x 600mm(H) |
| Strap Size: | 5mm - 12mm |
| Package Size: | Max. Governed By Arch Min. 1.5" H x 3" W |
| Tension: | Adjustable electronic control |
| Seal Head Location: | Bottom |
| Sealing Method: | Heat Seal |
| Mobility: | 3" Casters |
| Dispenser: | Externally located- 8" or 9" I. D./8" Face/18" O.D. |
| Power: | 120 Volt Single Phase |

* Depending on Arch Size

Dynaric, Inc.



Phone: (800) 526-0827 | E-mail: order@dynaric.com | Web: www.dynaric.com